

90 Pull-out Traffic Bollard

Code: BO-QP-90

We have taken innovation
to the next stage!

FUNCTIONAL AND REMOVABLE SYSTEM

Pull-out style traffic bollard developed for controlling vehicle access in temporary or permanent installations.

The removable design delivers a versatile and efficient option for diverse urban settings.

The reinforced structure helps manage impact forces, and the pull-out system allows quick bollard removal when access needs to be cleared without delays.

Commonly used in pedestrian corridors, controlled-entry areas, and temporary event locations.

Features an embedded base for firm installation and stability, along with a secure locking system that restricts unauthorized extraction.



Features

- Manufactured from galvanized steel and available in standard traffic safety colors—orange, yellow, red, or black—according to roadway requirements
- Features a black polymer base with UV protection and resistance to environmental exposure, ensuring long service life in outdoor applications
- Designed to withstand moderate impacts, the bollard includes a reflective ring that enhances visibility in low-light conditions and nighttime environments
- The base is secured to pavement using anchors and an extra-long bolt (not included), with the bollard body inserted and locked in place for a firm, reliable fit
- A rigid structure creates an effective visual and physical barrier. When removed, a flush-mounted ground marker remains in place, acting as a traffic-calming element and allowing unobstructed passage
- An integrated extraction system simplifies removal and enables the placement of a closure cap. The removable configuration allows easy cleaning, quick replacement, and repositioning without additional civil work
- Typical applications:
 - Street and pedestrian area access control
 - Perimeter protection
 - Temporary traffic control in construction zones
 - Parking area delineation
 - Restricted or secure areas
 - School zones

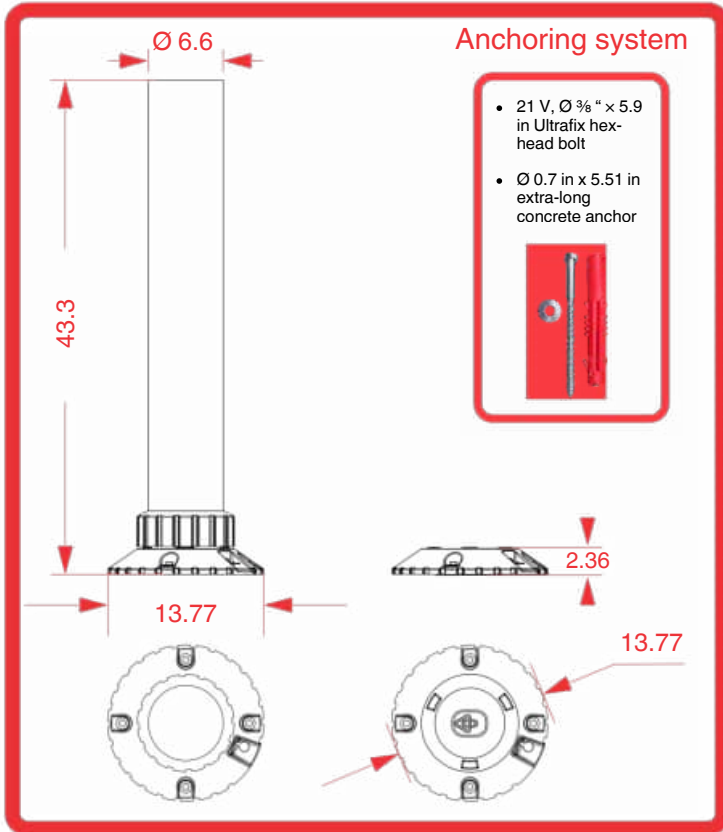


90 Pull-out Traffic Bollard

Code: BO-QP-90

Dimensions are nominal and may vary by $\pm 2\%$

Dimensions are in inches



Dimensions

Body diameter:	6.6 in
Base:	$\varnothing 13.77$ in
Overall height:	43.3 in

Anchoring system details

Identify and mark the four anchor points according to the bollard position, using the base as a guide. Drill each hole to a depth of 7" with a $\frac{3}{4}$ " concrete drill bit.

Place the extra-long concrete anchors into the holes and set the bollard in position. Install the $\frac{3}{8}$ " bolts with flat washers and tighten using a $\frac{9}{16}$ " socket wrench. Installation is then complete.

