



A leader doesn't follow steps, *he marks the way.*

WHAT'S A PYRAMID-SHAPED BOLLARD?

It's a highly resistant and protective device with a triangular design that consists of three illuminated sides to improve its visibility from any angle.

In addition, to embellish the zones where it's placed, its primary function is to prevent vehicles from entering prohibited zones as they work as safety road lane markers.

Mainly suggested in rows to prevent vehicles from entering the sidewalks, pedestrian or prohibited zones.

Features

- The pyramid-shaped design makes it elegant from any angle.
- It's the perfect device for delimiting pedestrian zones, entrances, median strips, etc.
- Made of medium-density polyethylene.
- It includes a steel core inside.
- Easy to handle and store.
- Easy to install.
- UV protection. It has resistance to humidity, oil, and extreme temperature changes.
- Maintenance-free.
- It contributes to a safer environment.
- Great durability.
- Useful for any kind of surface.
- It has the option of adding reflective on its three sides.
- It has the option of making it a solar bollard.

SOLAR LIGHTING SYSTEM

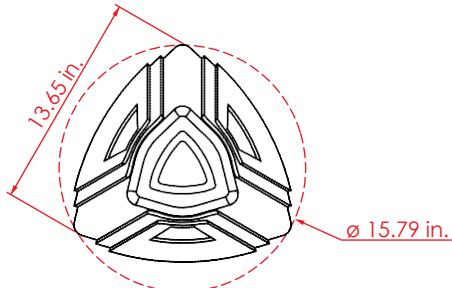
- 85mm solar panel.
- It includes 12 ultra-bright amber LEDs, four per side.
- 10 mm thick acrylic with a design at the front that improves light diffusion.
- Flashing circuit of 60Hz per minute.



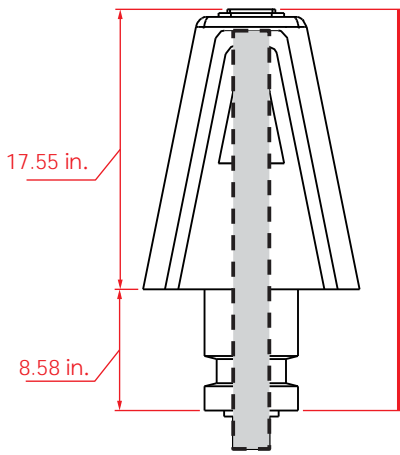
Solar Pyramid-shaped Bollard

Code: PIC-PIR-S

Volumes, dimensions, and other measures are nominal and may vary by approximately 2%.

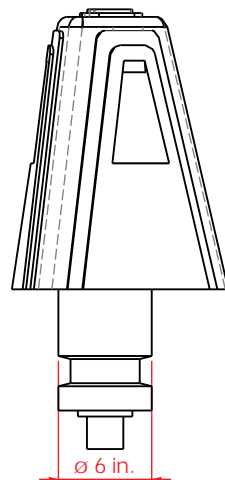


TOP VIEW



FRONT VIEW

26.13 in.



SIDE VIEW

Measures

Total

8 V H I X O K H L J K V

Width per side: 13.65 in.

Height: 5.85 in.

Reflective:

Width: 3.90 in.

Reflective color:

Amber or white.

Installation.

Mark the placement of the bollards. Make a borehole of $\varnothing 8" \times 10"$ depth with a nibbler. Clean the debris perfectly and pour the concrete. Put the bollard base, level it, and put the finishing touches. Just clean it one last time, and you're set.

