

Metropole Bollard

Code: PIC-7

Leader don't follow steps
... marks the way

WHAT BOLLARDS ARE?

Urban ornament resistant and protector. Indicate alignment with color. In different sizes some has a reflective strip on body bettering its visibility.

Its main function is to avoid vehicles enter to forbidden zones, also works as safety traffic limiters.

Is recommended to use it in rows impeding vehicles to park on sidewalks and also to prevent invasion of pedestrian zone.



FEATURES

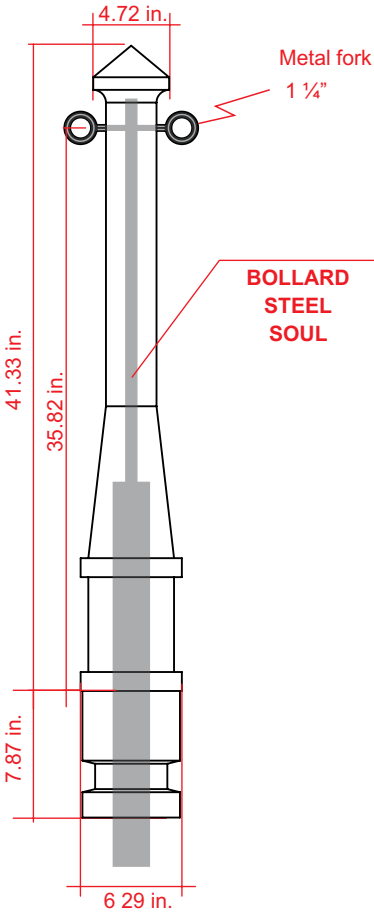
- Modern and robust bollard
- Help to create a safe and high standard environment.
- Made out in polyethylene.
- UV ray resistant.
- Great durability.
- Quadrangular body with pyramidal end.
- Tubular base for a better anchored to floor.
- Has a tube steel soul inside, so its heavy impact resistant.
- Free maintenance and easy to handle.
- Has two steel earrings for sustain a chain or a rope (optional).
- Two locking-carabiners and a 3/8 in. chain (optional too).



Metropole Bollard

Code: PIC-7

Measures are nominal and can vary, between +/- 2%. All dimensions in inches.



Measure

Total	Height: 41.33 in. Upper width: 4.72 in. (by side). Base width: 6.29 in. (by side).
Reflectives (optional):	in two faces
Color reflectives:	white or amber
Weight aprox:	37.47 lbs.

First mark the auger ubication, then perforate a hole 10 inches diameter and 9 inches depth with a perforating punch. Clear of dirt the hole as possible and pour the cement mix (previously prepared). Insert just the bollard base, check the level (no more, no less) and fill the rest of the hole to get a good cimentation.

