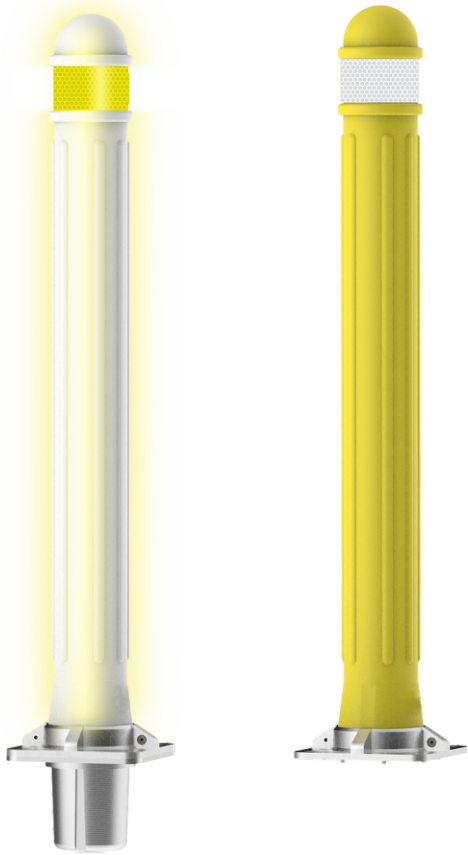


Geo Bollard 101

Code: PIC-GE-101



Leader don't follow steps
... marks the way

WHAT BOLLARDS ARE?

Bollards are urban adorns with a strong resistance to multiple run-ins, are color posts and -the most innovative of them- has the lighten solar option, bettering its visibility.

It's main function is to avoid passage of motorized vehicles to restricted areas: on-road works, pedestrian zones, bicycle protected lanes and else. Apart of its esthetic function are traffic safety regulators and channelizers.

Is recommended to use them in rows of various elements for deter vehicle drivers to pass the line, avoid parking on restricted areas or sidewalks.

FEATURES

- Modern, decorative & esthetic bollard with elegant design.
- Special flexible material supports up to 200 run-ins.
- Help to create a safe and high standard environment.
- **Made out in polyflexy®.**
- No maintenance needed. Easy handle.
- U.V. ray resistant, no decoloration.
- Extended durability.
- 2 aluminium clamps for fix on floor.
- With reflective strip for a bettered visibility during dark hours.
- Internal lighten (optional).

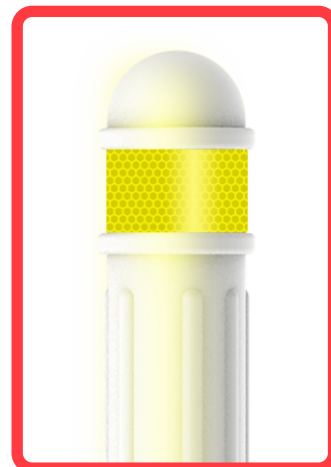
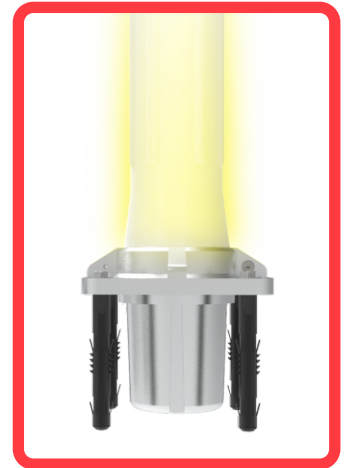
• ELECTRIC POWERED ILLUMINATION SYSTEM (AC)

The illumination is provided by a led cluster of white light at 3,000 kelvin with a plastic cristal cover (only consumes 7 watts).

- Prepared to be feed by the electric current net of 110-240 Volts AC (with the option to change to solar type).
- Has an internal vessel that can't be damaged in case of collision.
- The vessel as a rubber seal to prevent water leaks.
- Anchorage with drill screw and expansive tacket (not included).

• SOLAR ILLUMINATION SYSTEM (DC)

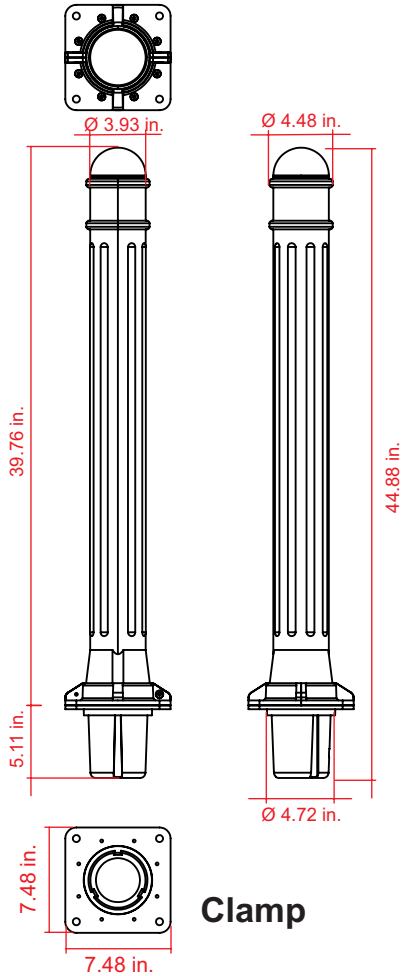
- Composed by a (150aH) photovoltaic cell and a (110aH2) battery pack connected to an arrangement of charger-inverter (12v-20A-200W) that guarantees operation of a signalasing point group (composed of lighten 6 bollards) for 8 to 10 hours with a full charge (from sunlight).



Geo Bollard 101

Code: PIC-GE-101

Measures are nominal and can vary,
between +/- 2%.
All dimensions in inches and ounces & lb.



Clamp

Measure

Total	Height: 39.76 in. Base width: 4.06 in.
Top diameter:	$\varnothing 3.93$ in.
Reflective:	Height: 1.96 in. Width: 3.93 in.
Reflective color:	Amber or white.

Mark the auger localization using the base as a template.

If your bollard is the lighten type, then the hole must be about $\varnothing 6'' \times 5''$. Dig it with a perforator punch to insert the lamp vessel.

Note: In case you have selected the lighten bollard choice, must assured that the light vessel stay 1/5 inch over concrete to prevent water flooding.

