

Leader don't follow steps
... marks the way



WHAT BOLLARDS ARE?

Urban ornament resistant and protector. Indicate alignment with color. In different sizes some has a reflective strip on body bettering its visibility.

Its main function is to avoid vehicles enter to forbidden zones, also works as safety traffic limiters.

Is recommended to use it in rows impeding vehicles to park on sidewalks and also to prevent invasion of pedestrian zone.

FEATURES

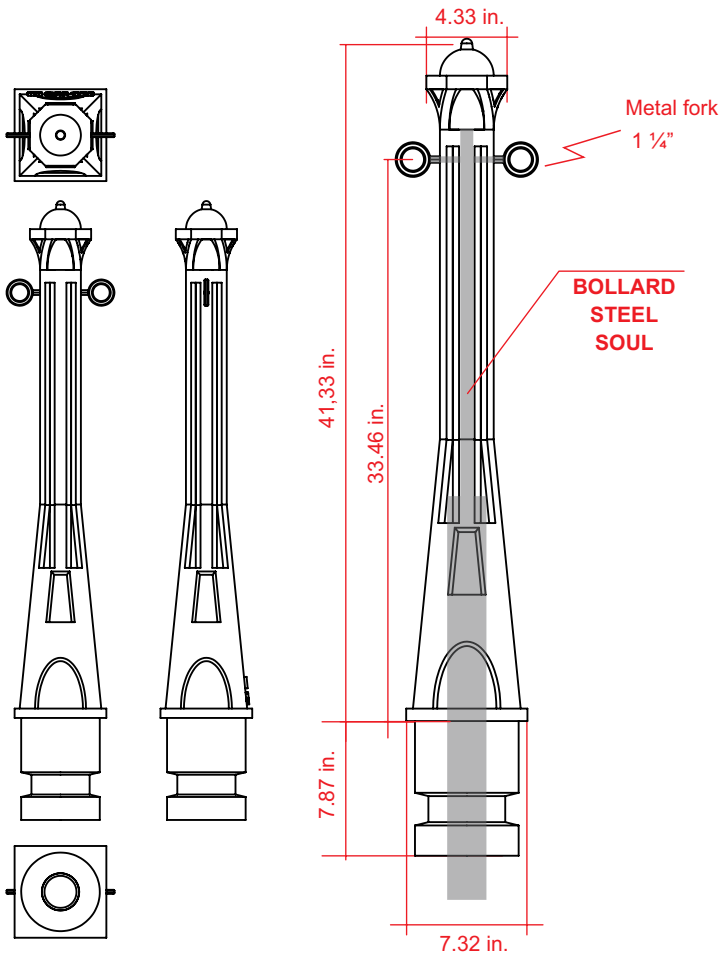
- Pionnering and robust bollard.
- Help to create a safe and high standard environment.
- Made out in polyethylene, grey or black color.
- Has a tube steel soul inside, so its heavy impact resistant.
- Two locking-carabiners and a 3/8 in. chain with a charge limit of half ton for each tranche of 10 ft. between bollards.
- Rounded end in coupole form.
- Free maintenance and easy to handle.
- UV ray resistant.
- Great durability.
- With reflective area for nightly visibility.



Eiffel Bollard

Code: PIC-EI-I

Measures are nominal and can vary, between +- 2%. All dimensions in inches.



Measure

Total	Height: 41.33 in. Width: 7.28 in.
Reflectives:	Variable
Color reflectives:	Amber or white
Weight aprox:	34,94 lbs.

First mark the auger ubication, then perforate a hole 10 inches diameter and 9 inches depth with a perforating punch. Clear of dirt the hole as possible and pour the cement mix (previously prepared). Insert just the bollard base, check the level (no more, no less) and fill the rest of the hole to get a good cimentation.

