

Static Bollard

Code: PF-70 / PF-110

Leader don't follow steps
... marks the way

PF-110



PF-70



WHAT ARE THE BOLLARDS?

Embellisher urban element highly resistant and protector, are alignment indicators, has a reflective ring enhancing the way visibility.

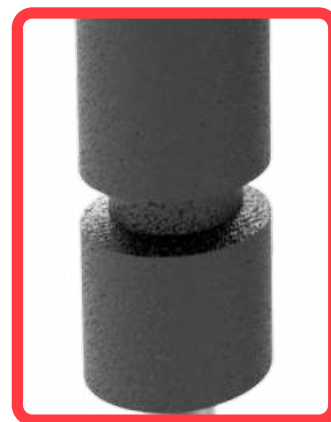
It can be made reboundable with a simple change of base.

Its works avoiding vehicle and motorcycles drivers and else invade the public pedestrians zones and as a safety traffic delimiters.

Can be install on any plane surface or floor type.

FEATURES

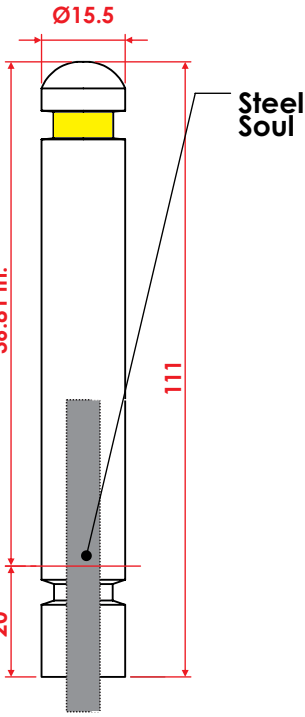
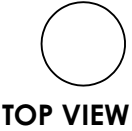
- Very useful as an urban alignment.
- Completely solid material.
- Its function is to avoid vehicles pass to forbidden areas or parking there.
- Help to create a safe and high standard environment.
- Made out in medium weight molecular polyethylene.
- Bollard's steel soul is a 2" Ø tube, Schedule 40 with a thickness of 0.153 in. for a more effective and bigger impact resistance.
- UV ray resistant.
- Great durability.
- Very easy installation.
- Strong anchorage drowned on floor.
- Also with a reflective strip for a better visibility.
- Two heights bollards 36.81 in. and 20.07 in.



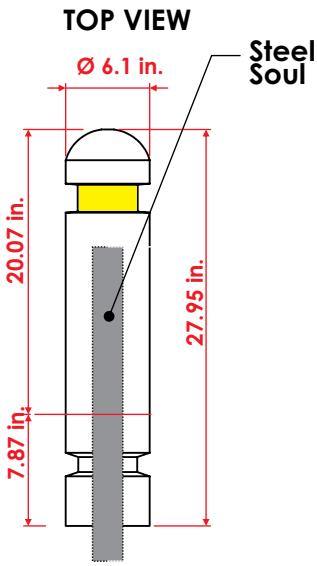
Static Bollard

Code: PF-70 / PF-110

Measures are nominal and can vary, between +/- 2%. All dimensions in inches.



FRONT VIEW



FRONT VIEW

Measure

Height	PF-110:	Work height: 36.81 in.
	PF-70:	Work height: : 20.07 in.
Reflective:		Height: 1.96 in.
		Width: Ø 14.17 in.
Reflective color:		Amber, red or white
PF-70 weight:		21,86 lb.
PF-110 weight:		40,34 lb.

Anchorage

First mark the auger ubication, then perforate a hole 10 inches diameter and 9 inches depth with a perforating punch. Clear of dirt the hole as possible and pour the cement mix (previously prepared). Insert just the bollard base, check the level (no more, no less) and fill the rest of the hole to get a good cimentation.

