

# Solar Multi-Purpose Bollard

Codes: BO-270-S, BO-196-S, BO-138-S



## Features

- The Multi-Purpose Road Bollard offers a comprehensive solution that not only enhances road safety by helping to prevent accidents, but also improves traffic flow and management, making it ideal for urban environments and high-traffic areas.
- The bollard features a circular top panel, available in single- or double-sided versions. One side may include LED lighting and reflective rings, significantly increasing visibility, especially in low-light conditions or at night.
- The bollard structure can also include reflective material, further enhancing nighttime visibility and ensuring greater safety in poorly lit areas.
- Manufactured from durable polymer, available in colors such as red, black, or yellow (with other options available upon request). The material is weather-resistant and UV-protected, ensuring long-term durability. Its smooth, seamless design eliminates sharp edges or corners, preventing injuries to both drivers and pedestrians.
- When installed individually, the bollard includes a floor-anchored base that provides additional stability and prevents it from being displaced by wind or adverse weather conditions.

## Solar-Powered Lighting System

- Photocell (500 mm x 60 mm): enables the automatic activation of the lighting system at dusk.
- 1W waterproof LED strip: provides constant illumination throughout the night to enhance visibility and safety.
- Lithium battery: stores energy during the day, powering the lighting for up to 12 hours with just 5 hours of direct sunlight charging.
- JVM circuit: allows bollards to synchronize with one another, ensuring seamless coordination in areas where multiple units are required.

## BEACON-STYLE BOLLARD

The Multi-Purpose Road Bollard is a key element in modern road infrastructure, engineered to fulfill a wide range of functions that enhance safety for both drivers and pedestrians.

Its durable structure, combined with an efficient solar-powered lighting system, makes it an ideal solution for high-traffic areas and locations requiring constant visibility, such as urban zones, highways, or designated special event zones.

Available in three different heights (8.86 ft, 6.43 ft, and 4.53 ft), these bollards are designed to adapt to diverse requirements while ensuring long-distance visibility.

This visibility is critical for enabling drivers to react in time to potential obstacles, reducing the risk of accidents and improving overall road safety.

In addition, the bollard helps guide and redirect vehicle flow while preventing access to restricted or hazardous areas. When combined with other bollards, it can create an effective barrier to separate traffic lanes, block entry to controlled-access zones, or define safety perimeters and restricted parking areas.

Its removable or adjustable configurations (such as detachable models) make it a highly versatile option for events or locations requiring temporary traffic arrangements.



Threaded solar delineator paddle



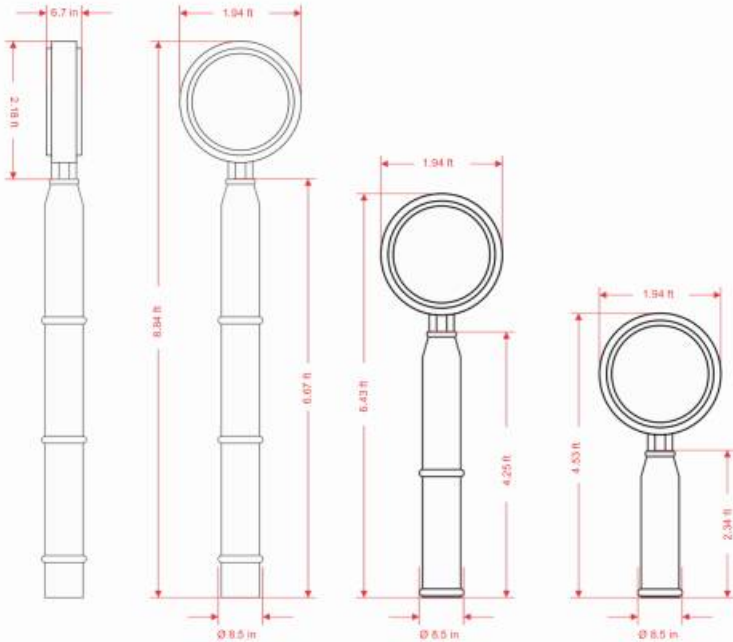
Solar cell

# Solar Multi-Purpose Bollard

Codes: BO-270-S, BO-196-S, BO-138-S

Dimensions are nominal and may vary by  $\pm 2\%$

Dimensions are in: inches & feet



## Dimensions

<b>Tubular module</b>	Total diameter: 8.5 in Bollard height: 6.67 ft
<b>Paddle:</b>	Diameter: 1.94 ft Width: 6.7 in Height: 2.18 ft
<b>3 heights (bollard with sign paddle)</b>	8.86 ft 6.43 ft 4.53 ft
<b>Reflective:</b>	Customizable according to project specifications

