

Automatic Bollard 600

Code: BO-AUT-600



AUTOMATIC BOLLARDS?

The bollards of the automatic lift offer an efficient and safe solution for access control.

Their automatic functioning removes the need for physical intervention, which makes them ideal for areas with high traffic flow or where a fast and frequent activation is required.

Thanks to robust design and advanced technology, these devices are thought to operate in a continuous way with ample access, guaranteeing reliability even in demanding conditions.

Commonly used in residential areas, government installations, military bases, power plants, airports, and other strategic environments that require high safety standards.

In addition, just one controller can manage up to 8 bollards simultaneously, facilitating its integration in more complex systems without losing efficiency or answering.

It's manufactured with high-resistance materials such as stainless steel, with anticorrosive coatings, guaranteeing a long lifespan even in adverse weather conditions.

The airtightness of the electrical components and the degree of protection (IP68) ensures continuous outdoor operation.

Features

Manufactured in:	SUS304 stainless steel
Thickness of tube:	0.19 in
Diameter of tube:	8.6 in
Functional height:	23.6 in
Protective tube:	Ø 10.2 in
Panel size:	0.2 in
Raised speed:	4s
Descent speed:	2,6s
Driving mode:	All in one
Input voltage:	220 VAC
Rated movement power:	300 W
Width of reflective film:	1.9 in
Box size:	Ø 13.3 x 29.7 in
Embedded depth:	35.4 in
Tube weight:	50 kg ± 1 / 110 lbs
Body thickness:	0.03 in
Waterproof grade:	IP68
Controlling mode:	Remote control/button remote control/license plate recognition/Bluetooth sensor/mobile APP remote control (optional)
Environment temperature:	30~70 degrees; still works when soaking in the water.
Warning mode:	360° visible LED warning light (standard)
Color of LEDs:	RGB
Power failure emergency:	Reserve battery, power failure can be remotely reduced
External devices:	Traffic light/voice call (optional)

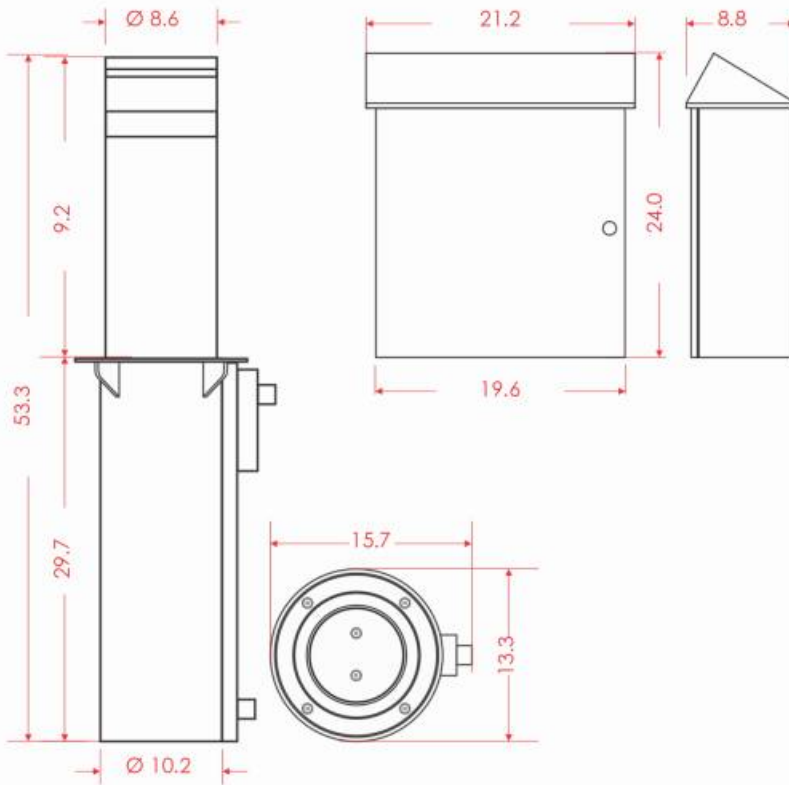


Automatic bollard 600

Code: BO-AUT-600

*Dimensions and other measures are nominal
and may vary by +/- 2%.*

Dimensiones en: in



Measures

- * Functional dimension: $\varnothing 8.6$ in
- * Functional Height: 23.6 in
- * LED COLOR: RGB



Automatic Bollard 600

Code: BO-AUT-600

Advantages of the Automatic Rising Bollard:

1. **Simplified installation:** No hydraulic pipelines, significantly reducing the costs of civil works, installation, and maintenance.
2. **Separate operation:** One fault in a unity doesn't affects the use of the other bollards.
3. **High visibility:** Integrated by ultra-high brightness LEDs, ideal for warning functions and night visibility.
4. **High resistance and power:** Achieve a compression resistance of 32 tons and a power of 350 W, guaranteeing efficiency and durability.

Installation drawing

The distance between the center of the bollard and the center of the bollard is 31.4/47.2 in, and can also be customized according to customer needs.

