

Athena Bollard

Code: BO-AT-F / BO-AT-A

A leader doesn't follow
marks the way...

WHAT BOLLARDS ARE?

Prevention and warning solar devices, placed strategically to avoid motorists invade public spaces intended for pedestrians, separating the sidewalk of the road.

Intelligent design ensure a high visibility to attract user's attention. This bollard is an effective solution, a clear and visible barrier that ease transit organization and protect all road users.

Post manufactured in 14-gauge with electrostatic paint coating, available in black, red, orange or green color.

Design incorporates a cap that improve night visibility and two silver rings that stand out the modern aesthetic.

Combines functionality, resistance and visibility, offering an efficient solution for organization and safety.

Excellent for government esplanades, as malls, hospitals, entrance of hotels, airports and others.



Features

- Athena bollard of stainless steel is a versatile solution to delineate public spaces and road safety, available in two versions: fixed and flexible.
- **Fixed:** Stainless steel base anchored to floor, designed to provide a permanent delineation without movement, ideal for areas where is required a constant stability.
- **Flexible:** ABS base anchored to floor and equipped with inner system that allow bollard to tilt if hit, recovering automatically its vertical position after being run over. This version is ideal for transit areas where is necessary the flexibility and resistance to impacts.
- Cap composed by translucent white polyethylene with cover in stainless steel.
- It charges during day and turns ON automatically during night.

LUMINOUS SYSTEM

- Solar cell: 85 mm
- Battery: Lithium polymer
- LED: 12 ultra bright
- Available color: Amber, white and red
- Light type: Flashing
- Synchronization Options: Bollards can synchronize for a coordinated lighting.
- Durability: High resistance to humidity conditions, designed to withstand extreme temperature changes.



Athena Bollard

Code: BO-AT-F / BO-AT-A

Measures are nominal and may vary by +/- 2%.

Dimensions in: in

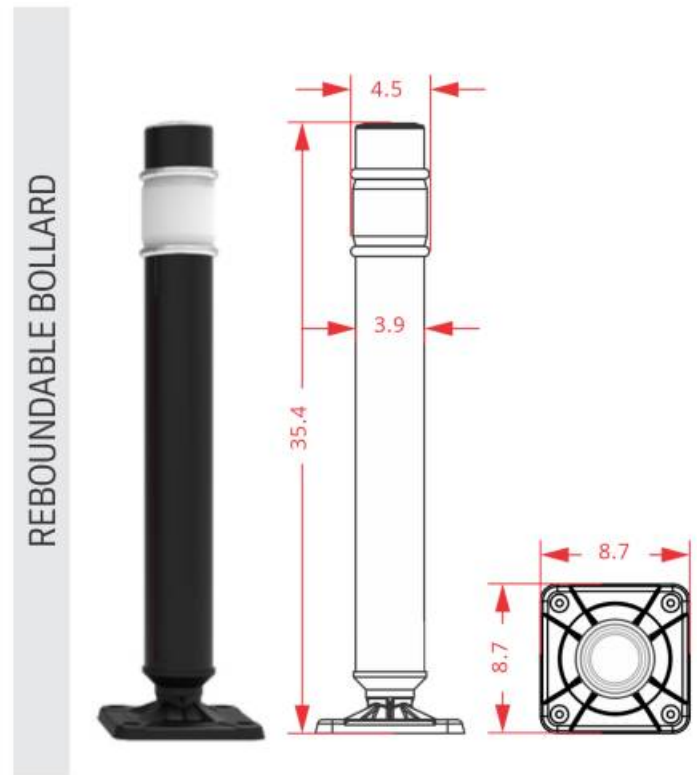
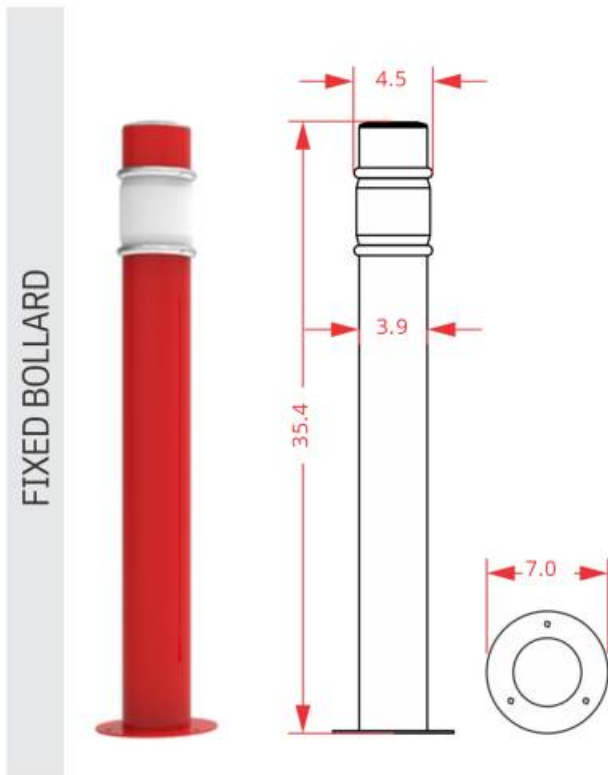
Measurements

Fixed

Body Diameter: 4.00" (10.16 cm)
Base Diameter: 7.0" (18.0 cm)
Total Height: 35.4" (90.0 cm)

Flexible

Body Diameter: 4.00" (10.16 cm)
Base: 8.7" x 8.7" (22.3 x 22.3 cm)
Total Height: 35.4" (90.0 cm)



Anchoring
 - 21 v Ø 3/8" x 5.9" Hex Head Ultrafix Screw x 15 cm.
 - Ø 0.7" x 5.5" Extralarge Anchors

Anchoring System

Mark the boreholes where the bollards will be placed.

Drill the boreholes with a 3/4" drill bit for concrete to a 7" depth.

Insert the extralarge anchors in every borehole and mount the bollard.

Place the 3/8" screw/flat washer and tighten with a 9/16" socket wrench.

DONE!

