

BABY-S BARRIER

Code: BBS-100

A leader doesn't follow.
marks the way...



Features

- Lightweight and portable device to solve quickly the channelization or separation of a zone.
- The modern design of structure, show us a product with valuable operation advantages.
- Center window that allow a better air flow to reduce probability of tipping.
- Created with 8 areas per side to add reflective sheeting, making a path with greater visibility during night or zones with low light conditions, 3 chevrons that guide the way of circulation, 1 horizontal line on the length of top part, and 4 reflective surfaces on lateral reflectors, set in the ideal angle to increase visibility for motorists.
- Registration before IMPI in process of the innovative lateral reflectors.
- Manufactured in HDPE making it highly resistant.
- Body in a single piece that ensure long life span.
- Line color: Orange (other colors upon request).
- Resistant to UV rays and extreme temperatures.
- Easy to transport and install.
- To increase weight, stability and containment level can be filled with water or sand, is recommended to fill it to a 30% of its capacity.
- Coupling system (male-female) that allow the perfect coupling to join barriers, creating straight or curved paths.
- Lower bridge that allow water flow to avoid barriers of being drawn.
- Top cap to fill and drainage cap.

WHAT THE BBS-100 BARRIER IS?

Road element that provides safety, channelizing vehicles and people that pass on work or prohibited zones.

WHAT ARE FOR BB-100 BARRIERS?

Delimit zones and guide vehicle transit, guiding them to a less risky area.

APPLICATIONS:

Ideal to delineate, sign and protect work areas in highways and urban roads.



Lateral reflectors



Bi-directional chevrons

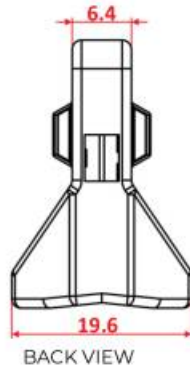
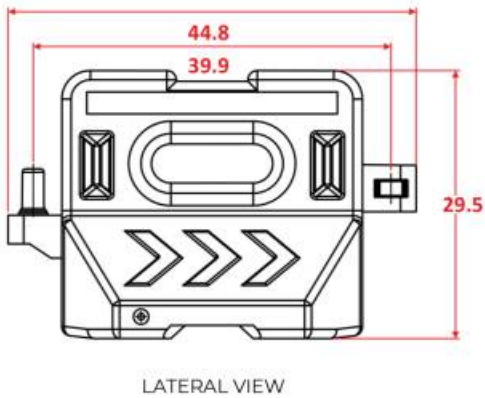
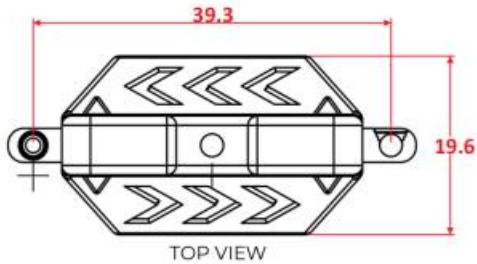


Coupling system
(male-female)

BABY-S BARRIER

Code: BBS-100

Measures are nominal and may vary by +/- 2%.



Measures in: **in**

Measures

Total	Useful length: 39.3 in
	Width: 19.6 in
	Height: 29.5 in
	Total Length: 44.8 in
Reflective Mat.:	8 zones on each side
Color of Ref. Mat:	White



Images are illustrative (render)