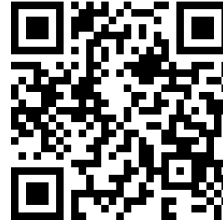


BABY TRAFFIC BARRIER

Code: BB-100

The triangular prism studs located on the sides and top are a Multiseñal registered technology: *IMPI MX/f/2019/002141*



A leader doesn't follow steps
... he marks the way

WHAT'S A BABY TRAFFIC BARRIER?

A low-cost, resistant and functional traffic safety barrier.

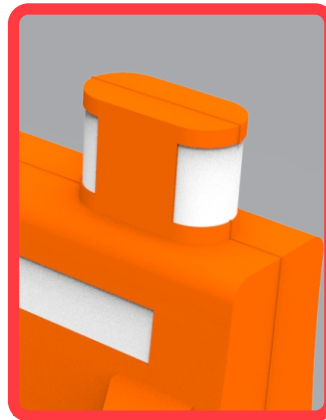
The measures and design comply with the most demanding standards.

The Baby Barrier's main function is to avoid vehicles enter on pedestrian areas, bicycle-protected lanes, street markets, etc.

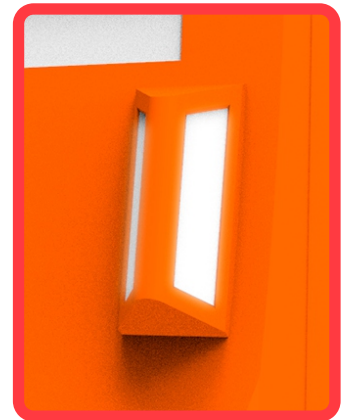
They can delimit, mark and protect work zones, roads, highways, and streets.

FEATURES

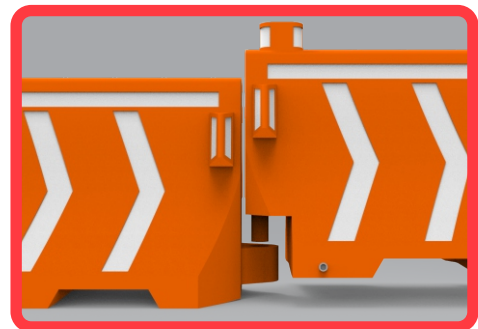
- It has 7 hollow spaces on each side where you can put reflective (optional). These include 2 chevrons that indicate the direction of the traffic, 1 horizontal stripe on the entire top, and 4 reflective surfaces on the studs of the sides. They are located at the ideal angle which increases the driver's visibility.
- The stud on the top has 2 reflective curved surfaces oriented to both directions of traffic.
- Lightweight, easy to transport and install.
- The modular design integrates a coupling system (male-female) for a strong link between barriers so you can create straight or curved routes.
- Made in one piece for long working life.
- A bottom bridge that allows water flow and avoids the dragging of barriers.
- Manufactured in medium-density polyethylene.
- Color: Orange (other colors upon request).
- Extreme temperatures resistant and UV protection.
- It can be filled with water or sand to increase its weight, stability, and containment level.
- It includes a top lid for filling and a drain plug.
- Rounded corners, curves, no sharp edges and no metallic parts inside which show its totally harmless design.



Stud on the top



Studs on the sides

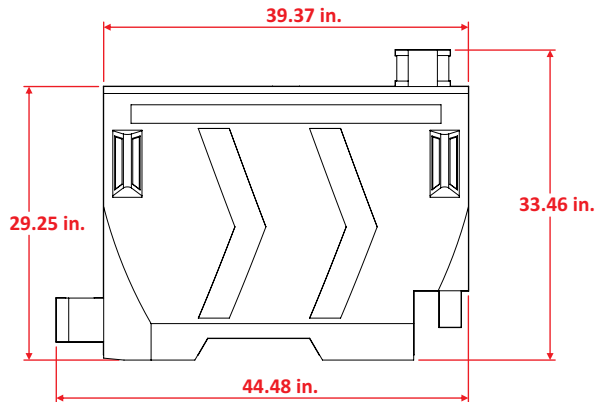


Coupling system (male-female)

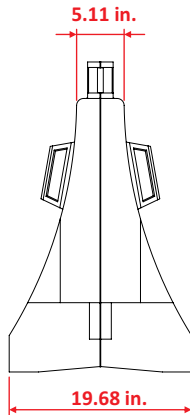
BABY TRAFFIC BARRIER

Code: BB-100

Volumes, dimensions, and other measures are nominal and may vary by approximately 2 %.



FRONT VIEW



SIDE VIEW

Measures

Total Useful length: 39.37 in.
Width: 19.68 in.
Useful height: 29.25 in.
Total length: 44.48 in.
Total height: 33.46 in.

Reflective: 7 zones on each side and 2 studs on top

Reflective Color: White

Empty weight: 14.52 lb.



The images are merely representations of the models.