

66 PLASTIC TRAFFIC BARRICADE

Code: BA-66

True leaders do not follow
...they lead the way

WHAT IS THE PLASTIC TRAFFIC BARRICADE?

Barricade 66 is a highly visible, durable safety device ideal for traffic control in both urban streets and highways.

Perfect for work zones, construction sites, and repair areas, it also doubles as a promotional platform.

Effectively channels traffic into the proper lane and establishes clear, visible boundaries.

Delivers outstanding stability and reliable performance when filled with water or sand.



Features

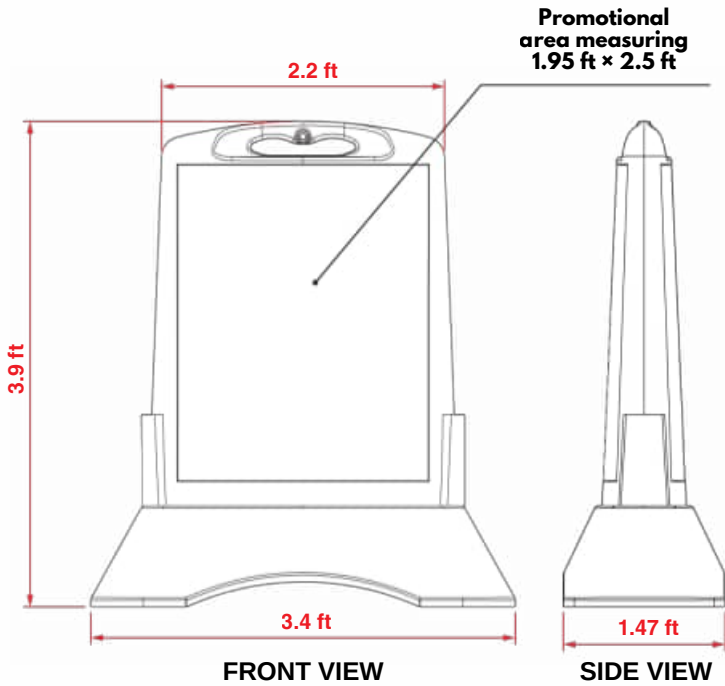
- A professional-grade solution for construction zones, traffic diversions, and repair areas, designed to protect pedestrians and vehicles.
- Features a dedicated area for custom messages or reflective bands to improve night visibility.
- Manufactured from premium medium-density polyethylene in bright orange (custom colors available upon request).
- Smooth, easy-to-clean surface resists chemicals and solvents.
- Built-in weighted base provides excellent wind resistance, with the option to add ballast.
- Engineered to withstand outdoor conditions with UV protection for extended service life.
- Base includes a drainage channel to prevent tipping.
- Stackable design saves space during storage and transport.



66 PLASTIC TRAFFIC BARRICADE

Code: BA-66

Dimensions and other measurements are nominal and may vary by $\pm 2\%$.



Dimensions

Overall:	Length: 3.4 ft Width: 1.47 ft Height: 3.9 ft
Promotional area:	1.95 ft x 2.5 ft
Reflective color:	Available in white or custom digital printing
Weight when empty:	21 lb

