

# MULTI-PURPOSE TRAFFIC BARRIER

Code: BA-MUL-1500

**True leaders do not follow  
... they lead the way**

## WHAT IS A MULTI-PURPOSE TRAFFIC BARRIER?

Unique safety barrier, versatile with interchangeable legs and easy to handle, thanks to its exclusive double hook design.

Its primary purpose is to prevent vehicles from entering restricted areas; works as a safety road delimiter.

Mainly recommended for use in rows or curves, enhancing overall safety.



## Features

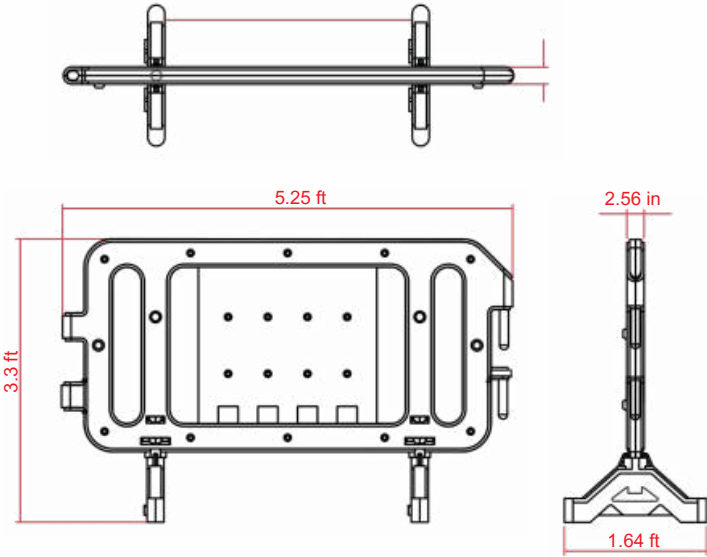
- Perfect for delimiting, marking, and cordoning off events, offering enhanced safety.
- Designed to guide crowds to designated areas.
- Equipped with two swivel legs for easy storage and stacking.
- Manufactured from high molecular weight polyethylene for durability.
- Available in blue, orange, or black, with additional colors upon request.
- Uniform wall thickness ensures optimal performance in daily use.
- Lightweight yet stable, with solid legs for firmness.
- Long lifespan and excellent resistance to environmental conditions and temperature fluctuations.
- UV-protected for increased durability.
- Stackable design for easy transportation.
- Features a double "male-female" pin assembly system for forming straight lines or curves.
- Quick, easy, and secure assembly—can be done by one person with minimal effort.
- Optional reflectors available for improved nighttime visibility.
- Advertising space available.
- Optional 2-in rotating flat tires for enhanced mobility.



# MULTI-PURPOSE TRAFFIC BARRIER

Code: BA-MUL-1500

Dimensions and other measurements are nominal and may vary by  $\pm 2\%$



## Dimensions

<b>Total</b>	Height: 3.3 ft Functional length: 5.25 ft Width & leg: 1.64 ft
<b>Reflective:</b>	At the front
<b>Reflective color:</b>	White or amber
<b>Advertising space:</b>	2.06 ft x 1.61 ft

