

# GALAXY ROAD BARRIER

Code: BGP-145

True leaders do not follow  
...they lead the way

## WHAT IS THE GALAXY ROAD BARRIER?

It is a unique road safety barrier, versatile enough to delineate both straight and curved areas with precision. Easy to handle due to the exclusive interlocking system.

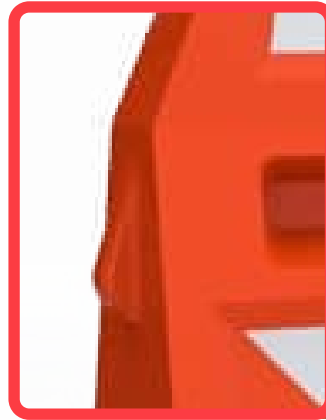
Designed to block off restricted areas, it provides effective road safety.

Recommended mainly for straight sections or curves, it helps create a more secure environment.



## Features

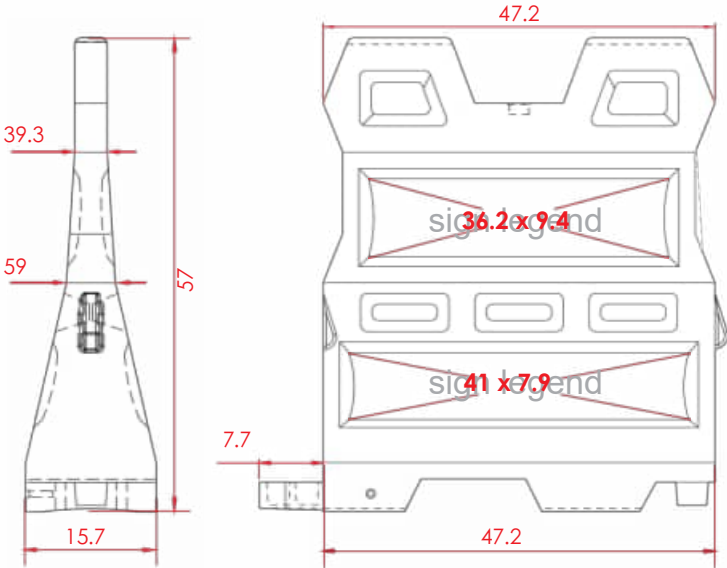
- The body design features improved performance, structural strength, and is highly durable.
- It directs vehicular or pedestrian traffic and is also ideal for delineating areas or safety lines.
- The number and placement depend on the type of road and the specific project.
- Provides excellent stability and reliability in daily use.
- Made from high-strength polymer, in a single, uniform piece with consistent wall thickness; rounded corners and edges minimize injury in case of impact.
- Features a shark fin connector on the body to ensure stability and interconnection between units.
- The exclusive assembly design enables a 30° turning radius between barriers, allowing the formation of circles with diameters of 14.8 ft or more, depending on requirements.
- Continuous barrier: its tongue-and-groove assembly system is very simple and can be performed by one person.
- Allows linking barriers in straight lines or curves, providing a neat and professional appearance.
- Equipped with fill and drain plugs.
- Resistant to climatic changes and UV-protected.
- Optionally can be ballasted with water or sand for added stability.
- Meets official specifications for design, size, and functionality.



# GALAXY ROAD BARRIER

Code: BGP-145

Dimensions and other measurements are nominal and may vary by  $\pm 2\%$



## Dimensions

<b>Total</b>	Length: 47.2 in Width: 15.7 in Height: 57 in
<b>Reflective element:</b>	2 sign legend areas per side
<b>Advertising area:</b>	Top: 36.2 in x 9.4 in Bottom: 41 in x 7.9 in
<b>Reflective color options:</b>	White or digital print (optional)

Dimensions are in inches



## Features

- Lane containment convoy.
- Barrier cart for mounting up to four barriers.
- The frame is made of 3x3" steel angle, equipped with 6 wheels (with brake pedal) of 8" diameter for easy barrier movement.
- Length: 16.4 ft.

