

Nestable Barrier Robust 835

Code: BA-RO 835/AN

Great savings in storage
and transportation !

More weight at the base, more strength at the top

The **nestable** barrier is an innovative and convenient solution designed to improve road safety and manage public spaces.

This device is ideal for a wide variety of uses, including delineation, signage, and cordoning off of areas at work, events, or special situations.

Thanks to the **nestable** design allows for optimizing space, meaning a significant reduction in transportation and storage costs without compromising efficacy.

The **nestable** barriers represent an efficient, safe, and affordable solution for any signage need or control of urban spaces, road environments, and public spaces.



Features

- Barrier with a modular system of easy assembly, making it an exclusive one in the market.
- Thanks to the **nestable** design optimizes space, reducing up to 75% of transportation and storage costs.
- Its structure allows an adaptable modular assembly at different lengths, adjusting to the different specific needs of every project or event.
- Manufactured in orange polymer with UV protection that offers resistance to inclement weather and temperature changes, guaranteeing a long lifespan.
- Body engraved with two chevrons per face, option to add white reflective sheeting, increasing night visibility.
- The male-female assembly system enables the wind flow to avoid tilting, perfect to assemble by one person with minimal effort.
- It can incorporate a stabilizing weight (small or large) to improve its performance before strong wind gusts.
- Ideal to guide pedestrians and vehicles towards safe zones, this nestable barrier represents an efficient and convenient solution for management and traffic control.



ENGRAVED CHEVRONS



HANDLE TO
MANAGE



SAFE COUPLING WITH A PRECISE
WIND FLOW AND AVOID TILTS



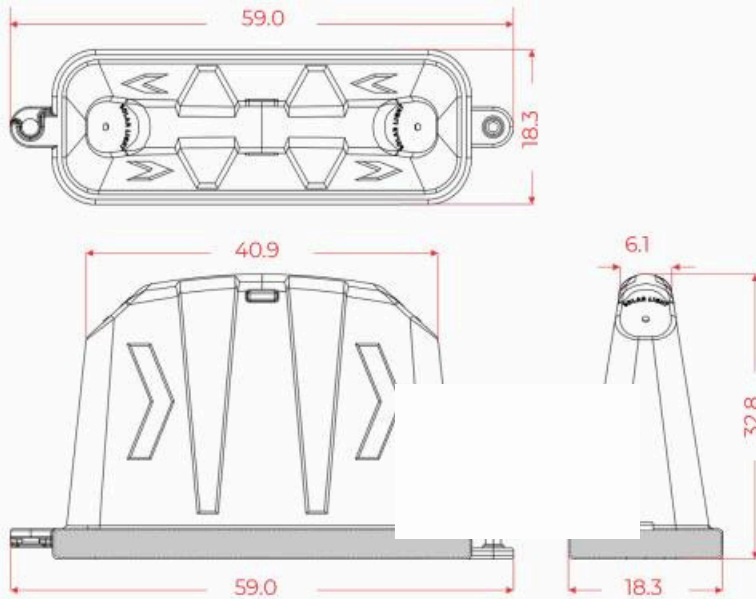
STORAGE

Nestable Barrier Robust 835

Code: BA-RO 835/AN

Dimensions and other measures are nominal and may vary by +/- 2%.

Dimensions in: in



Measurements

Total	Total Length: 59.0 in Width: 18.3 in Height: 32.8 in
Color of Reflective Sheeting:	White
Weight (without base):	15.43 lbs
Weight (with small base) :	25.794 lbs
Weight (with large base) :	38.580 lbs



53-ft dry van with capacity for approximately 1,134 nestable barriers, covering up to 5,580 linear feet of channelization