

Nestable Barrier Robust 700

Code: BA-RO 700/AN

We are on
the next level!



More weight at the base, more strength at the top

The nestable barrier is a versatile, efficient, and modern design to improve traffic safety and management of public spaces.

Its convenient design allows an agile use in a wide variety of applications, from delimitation and signage of works, or roads, to cordoning off of massive events and sports activities.

Thanks to nestable design, it significantly reduces the transportation and storage costs, occupying less space without compromising its functionality or safety.

With the nestable barrier, you will obtain a safe and affordable solution for any signage and traffic control needs in urban environments, road works, and public events.

Features

- Barrier with a modular system of easy assembly, making it an exclusive one in the market.
- Its nestable structure allows stacking them efficiently, reducing up to 75% of transportation and storage costs, thanks to the less volume.
- Adaptable to any need, it can adjust to the length and specific requirements of the project or event.
- Manufactured in orange polymer with UV protection that offers resistance to inclement weather and temperature changes, guaranteeing a long lifespan.
- Body engraved with two chevrons per face, option to add white reflective sheeting, increasing night visibility.
- It can incorporate weight on the base to increase stability and resistance before adverse conditions.
- The male-female assembly system enables the wind flow to avoid tilting, perfect to assemble by one person with minimal effort.
- Ideal to guide pedestrians and vehicles towards safe zones, this nestable barrier represents an efficient and convenient solution for management and traffic control.



ENGRAVED CHEVRONS IN
BODY



HANDLE TO
MANAGE



SAFE COUPLING FOR PRECISE
WIND FLOW AND AVOID TILTS



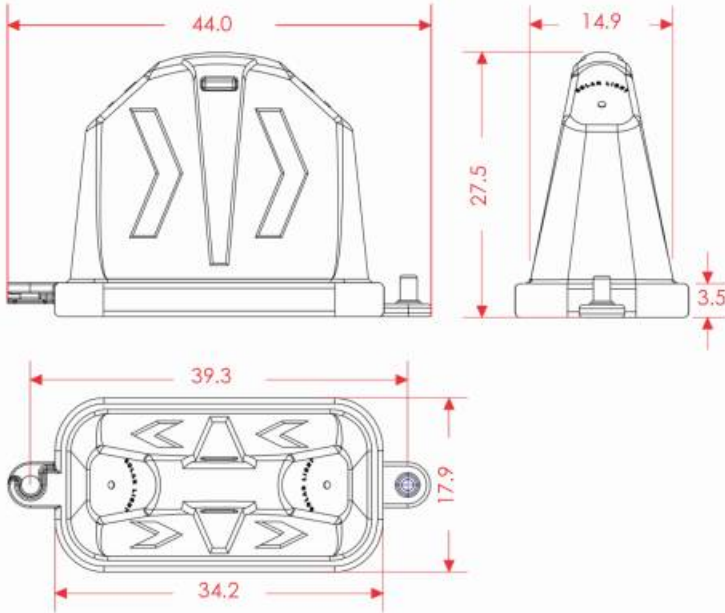
STORAGE

Nestable Barrier Robust 700

Code: BA-RO 700/AN

Dimensions and other measures are nominal and may vary by +/- 2%.

Dimensions in: in



Measures

Total	Total Length: 44.0 in Width: 17.9 in Height: 27.5 in
Color of reflective mat:	White
Weight (without base):	7.71 lbs
Weight (with base):	18.07 lbs



53-ft dry van with capacity for approximately 1,300 nestable barriers, covering up to 4,518 linear feet of channelization

