

Plastic Barrier

Codes: BPD-001 & BPD-002

Leader don't follow steps
... marks the way



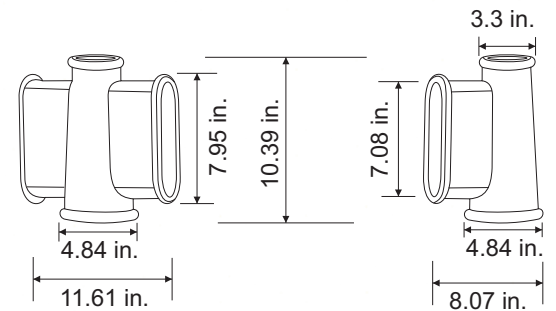
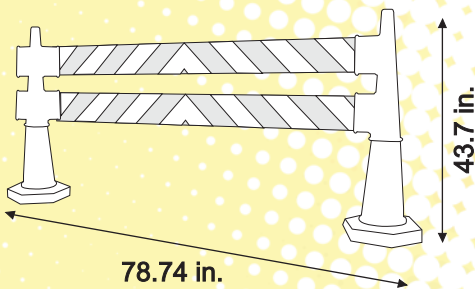
BPD-001



BPD-002

FEATURES:

- * Consist in one or two barriers fixed on two cones .
- * Excellent as a preventive and stop barrier, on detours, on any road or construction works, in or out of town.
- * High resistant to impacts and any kind of shocks.
- * Easy for road manœuvres .
- * For substitute metallic barriers.
- * Easier transport of its assembled elements.
- * High weathering resistance and UV protected.
- * All its pieces has no sharpen edges and rounded ends to offer great security to drivers in case of collision, its parts and materials are totally harmless.
- * Cone bases has the necessary weight for solidness and stability against winds.



TECHNICAL DATA:

- * Made out in: PVC.
- * Reflective type: Engineering Grade.
- * Barrier measure: Width: 7.08 in.
Length: 78.74 in.
- Post: Total height: 43.71 in.
- Base Post: Hexagonal 13.38 in.

Measures are nominal and can vary between +- 2%.

