

LOW PROFILE BARRIER (NEW JERSEY)

Code: B-1455

True leaders do not follow
...they lead the way

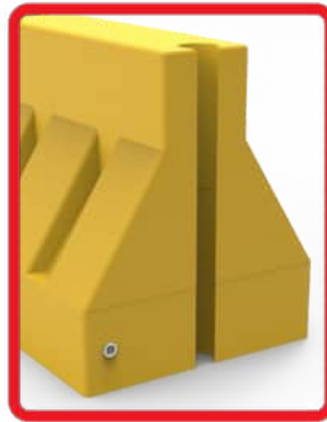
WHAT IS A LOW PROFILE BARRIER?

- This road safety device also serves as a protective barrier, providing both traffic management and physical protection.
- Perfect for marking areas, signaling, and safely restricting access to protect event participants.
- Suitable for blocking roads, marking construction sites, lane changes and separation, as well as delimiting areas during sports activities or events.



Features

- Modular system barriers with easy assembly.
- Designed to be connected together, allowing you to create the required length to suit your needs.
- Manufactured from high-strength polymer via rotational molding, ensuring longer-lasting and durable parts.
- Standard colors: red or yellow; other colors available upon request.
- Stackable design allows efficient packaging, reducing transport and storage costs.
- Thick walls provide excellent impact resistance, especially at edges and corners.
- Long service life, resistant to weather conditions and temperature changes, with UV protection.
- Top fill cap and bottom drain cap (recommended fill up to 30% of capacity).
- Reflective strips on both sides for improved visibility.
- Can be filled with water to increase weight and stability.
- Simple, fast, and secure assembly.
- Standard colors: red or yellow; additional colors available on request.
- Stackable design allows efficient packaging, reducing transportation and storage costs

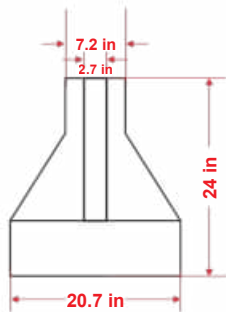
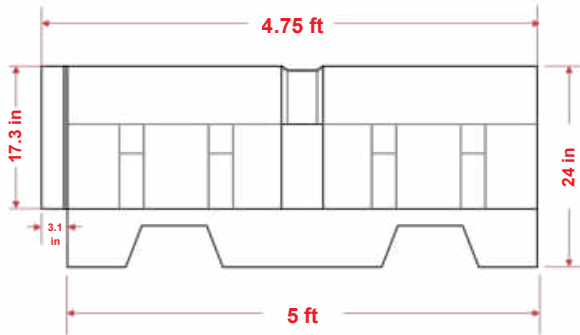


LOW PROFILE BARRIER (NEW JERSEY)

Code: B-1455

Dimensions and other measurements are nominal and may vary by $\pm 2\%$

Dimensions are in inches and feet



Dimensions

Total	Overall length: 5 ft
	Overall functional length: 4.75 ft
	Width: 20.7 in
Can be filled with:	Height: 24 in
	Sand or water
Approx. weight:	37.47 lb

