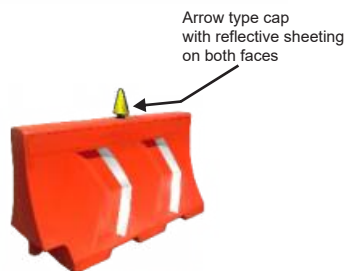


A leader doesn't follow...  
marks the road

## FEATURES OF THE BD-174

- Versatile traffic safety barrier, that can be filled with water, sand or can be used empty. Easy to handle.
- Robust body with extraordinary stability and firmness.
- Both sides with 2 engraved diamond type chevrons in bidirectional or directional way to indicate vehicular transit, added with reflective sheeting for a better visibility during night (optional)
- Its main function is avoid vehicles invade prohibited zones; also used to delimit roads safely.
- Guides transit to the indicated lane or works as a center barrier in highways.

Its usage is suggested in rows or curves, contributing to a safer environment.



## Features

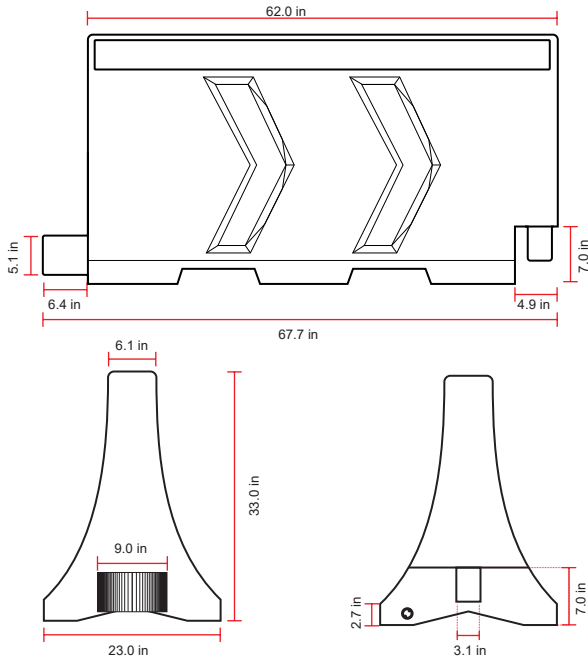
- Manufactured in linear polyethylene in one piece. Line colors: orange or yellow (other color upon request) with UV protection.
- Uniform thickness on walls that improves the daily heavy duty performance.
- Base with two arcs that ease water flow and also help to carry with forklift.
- Resistance to inclemency and temperature changes, guaranteeing a long shelf life.
- Male-female coupling for an easy placement from small straight lines to big curves.
- Upper cap for water or sand filling if needed, is recommended to up to 30% of its capacity for an optimal functioning; option to change for an arrow type paddle-cap with reflective sheeting.
- Lower cap for draining.
- Between each barrier is possible to turn a 30° radius, enabling the creation of circles of 19.685 ft diameter or more. Useful to sign curves according to your needs
- It complies with the standard established by SETRAVI (Secretary of Transport and Road).



# DIAMOND BARRIER

Code: BD-174

Dimensions and other measures are nominal and may vary by  $\pm 2\%$ .



## Measures

### Total

Useful length: 62.0 in  
Total length: 67.7 in  
Width: 23.0 in  
Height: 33.0 in

### Reflective sheeting:

white or yellow chevrons

### Weight:

39.683 lbs

### Filling capacity:

330 lt or kg/727.5 lbs or 87.1 gal.

## Assembly

