

# BULLDOG LUMINOUS BARRIER

CODE: BB-S70L

NEW PRODUCT

Light-catchers system ) are registered technology:  
IMPI MX/2019/002147



Leader don't follow steps  
... marks the way

## WHAT IS THE BULLDOG LUMINOUS BARRIER?

A traffic safety item forming a perfect duo with the **Defender 80 Post** for make effective barriers needed in road works, or for mark any other nightly working zone.

One on its kind, versatile to confine forming linear, curves and other figures with various elements.

Its main function is to cordoning forbidden or security zones. Are useful as a traffic delimiter to provide safety both to pedestrian and vehicle drivers.

Recommended use for create rows or quadrilateral, triangles or gondoles promoting a more secure environment.

## FEATURES

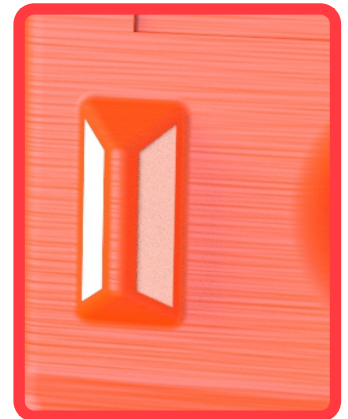
- Composed barrier made out in high weight molecular polyethylene, along its body it has 5 directional chevrons in both faces.
- The barrier can be ballast with sand or water, and has an inferior bridge for waterflow passage, also for being handle with a forklift.
- Line color: orange, others by demand.
- With reflectives in its body for more visibility (optional).
- Flexible post manufactured out in Poliflexy®, our special soft material, absolutely harmless for vehicles or people.
- The white color post provides maximum visibility at dark hours.
- The post carry 3 rings of prismatic reflective adorn with elegant black fillet.

### INTELLIGENT SOLAR POWERED SYSTEM IN POST

- \*Solar photovoltaic cell
- 5 ultrabright led in a cluster
- 40, 000 MCD with low energy consumption 18 mA to 40 mW.
- Body color: white
- Inner led colors: amber, red or white.
- All resources, reflectives, inner illumination, white color, and light-catchers are oriented for get the best performance.



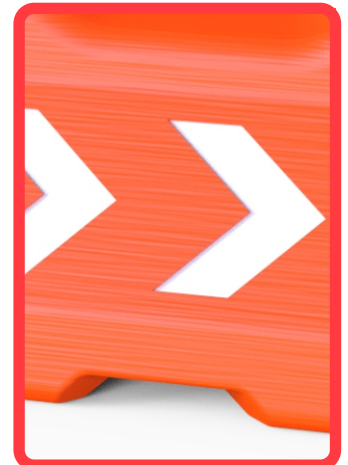
"male-female bond"



Light-catcher



Post assembled



Chevrons relief

Images are mere illustrative models .

# BULLDOG LUMINOUS BARRIER

CODE: BB-S70L

## Measure

### Barrier:

Operative length: 59 in.  
Length: 65,35 in.  
Width: 14,96 in.  
Height: 27,55 in.

### Post:

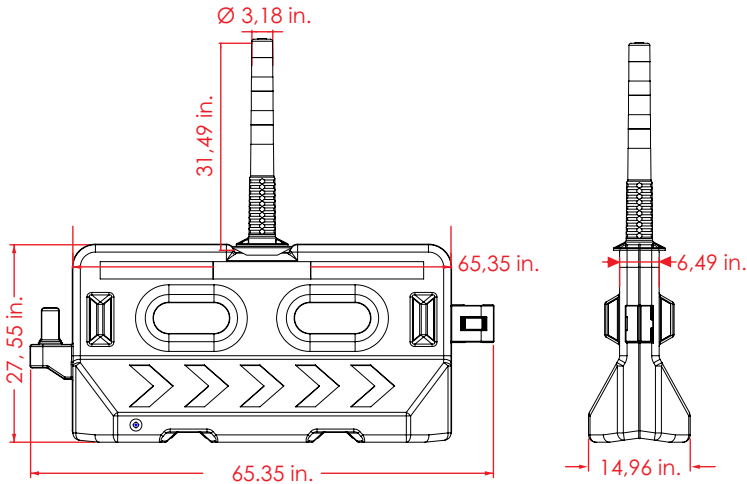
Superior diameter: 3.18 in.  
Inferior diameter: 7,87 in.  
Height: 31,49 in.

### Reflectives:

5 chevrons each side, 3 rings on post, 4 light-catchers.

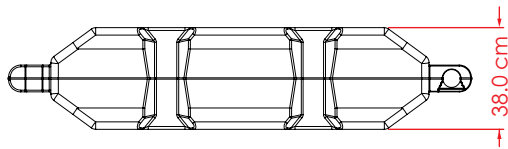
### Reflective color:

White



Front View

Lateral View



Bottom View

Measures are nominal  
and can vary,  
between +/- 2%

