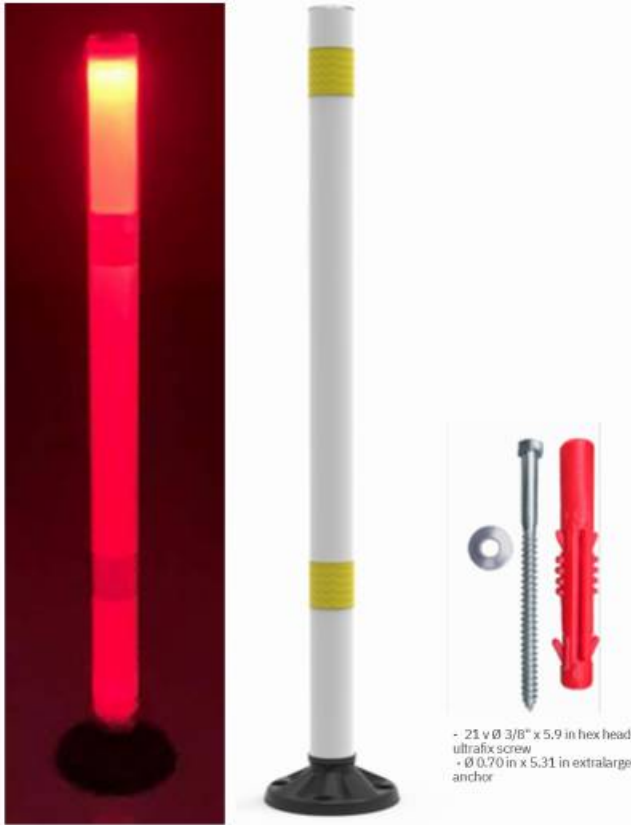


BRIO 105 SOLAR DELINEATOR POST

Code: BBRIO-105 SOLAR



WHAT SOLAR DELINEATOR POSTS ARE?

Road signage devices designed to delineate or mark specific areas, for pedestrians and vehicles. Their main function is to prevent vehicles invade restricted or dangerous zones, guaranteeing road and pedestrian safety.

Formulated plastic post, resistant to weather, wearing and tearing, as to possible impacts.

Their design allow post to be run over and recover after an impact. Perfect for zones that require flexibility, such as parking lot or restricted transit area entrances.

Their most outstanding function is to delineate spaces, avoiding vehicles invade prohibited or dangerous zones, such as sidewalks, bikeways, pedestrian crossings and other restricted access areas.

Flexible posts are usually installed in line, creating clear visual barriers that impede improper parking on sidewalks or risk zones.

Delineate entrances to parking lots, loading and unloading area, maintaining order and safety.

The functional design and versatility make of this device an efficient solution for organization and urban space control, improving safety for pedestrians and motorists.

Features

- Resistant to impact of vehicles.
- Recovers original shape after impact, returning to vertical position and withstanding over 5,000 run overs.
- Manufactured in plastic of high resistance; material that doesn't cause damage to vehicles.
- Withstand reckless run overs of less than 5 tons.
- Line color: translucent white.
- 2 rings of prismatic reflective sheeting, helping to night visibility.
- Easy to install and reposition.
- Safe floor anchoring through 4 screws, four 3/8" flat washers and 4 extra-large anchors, providing greater safety (not included).

Solar Lighting System

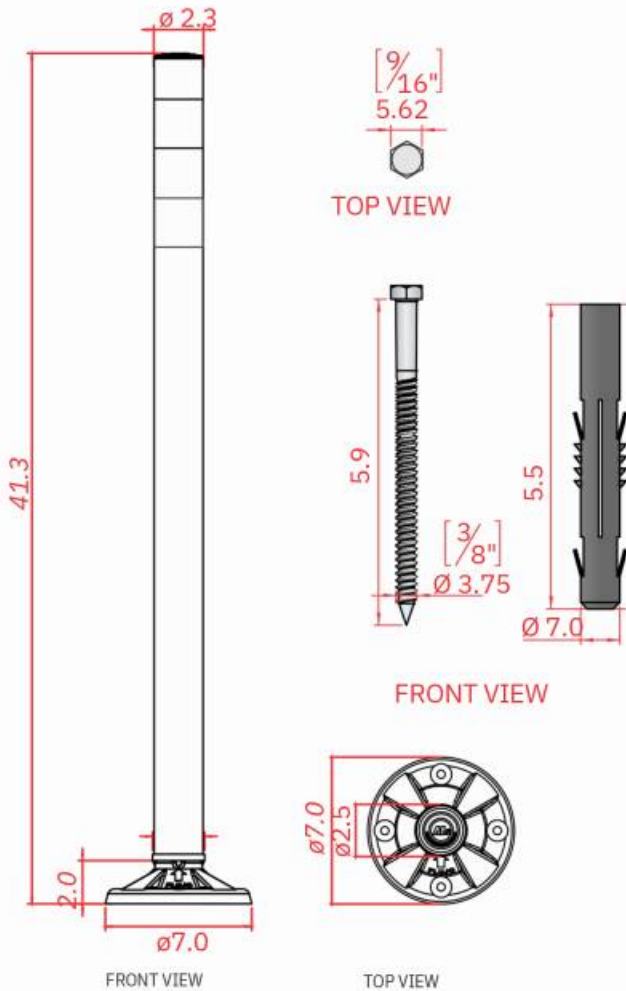
- Solar cell.
- Group of 5 latest generation, ultra bright LEDs.
- JVM circuit, making it work in a flashing way.
- LED colors: amber, red, green, blue and white.



BRIO 105 SOLAR DELINEATOR POST

Code: BBRIO-105 SOLAR

Dimensions and other measures are nominal and may vary by +/- 2%.

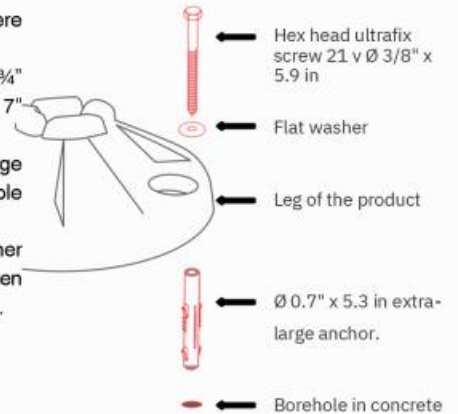


Measures

Total	Height: 41.3 in Base \varnothing 7.0 in Top \varnothing 2.3 in.
Reflective Mat.:	Ring of 2.3 x 7.0 in.
Color of Ref.:	Amber.
Weight:	2.292 lbs

Anchoring

1. Mark the boreholes where the bollards will be placed.
2. Drill the boreholes with a $\frac{3}{4}$ " drill bit for concrete to a 7" depth.
3. Insert the extra-large anchors in every borehole and mount the bollard.
4. Place the $\frac{3}{8}$ " flat washer and anchors, then, tighten with a $\frac{9}{16}$ " socket wrench.
DONE!



+ safety
+ resistance
- cost