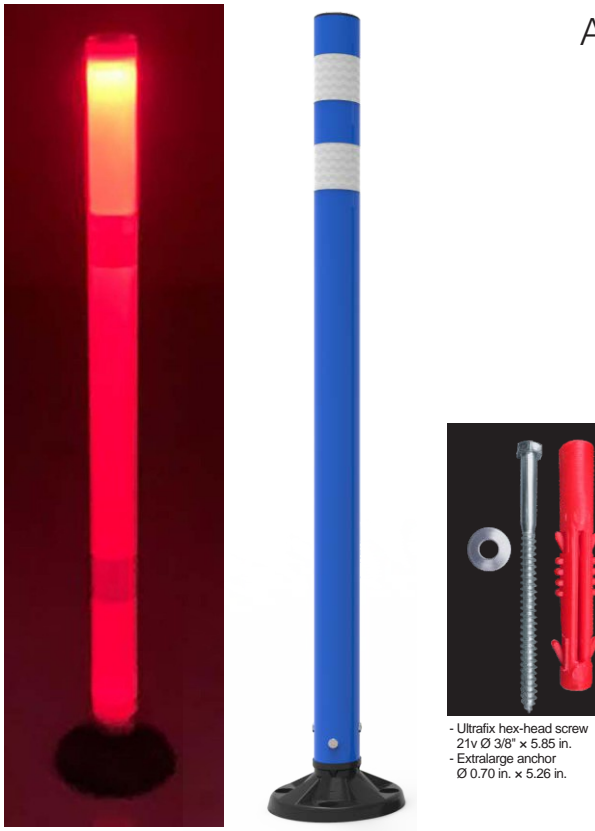


BRIO 105 DELINEATOR POST

Code: BBRIO-105

A leader doesn't follow steps, **he marks the way.**



- Ultrafix hex-head screw
21v Ø 3/8" x 5.85 in.
- Extralarge anchor
Ø 0.70 in. x 5.26 in.

WHAT'S A DELINEATOR POST?

This reboundable plastic delineator post aligns, delimits, or directs reserved areas for pedestrians or motorists.

WHAT DOES A BRIO DELINEATOR POST DO?

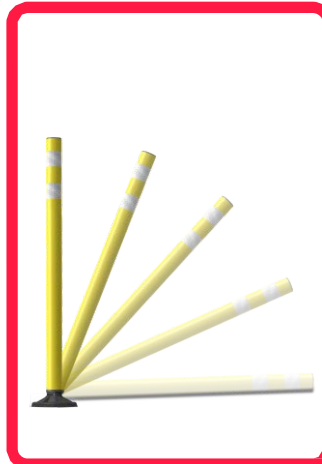
The main function of this delineator post is to avoid vehicles invading forbidden zones and work as a traffic safety channeler in bike lanes, parking lot accesses, or even pedestrian crossings.

USES

Mainly suggested in rows preventing vehicles from parking on the sidewalks or invading danger zones.

Features

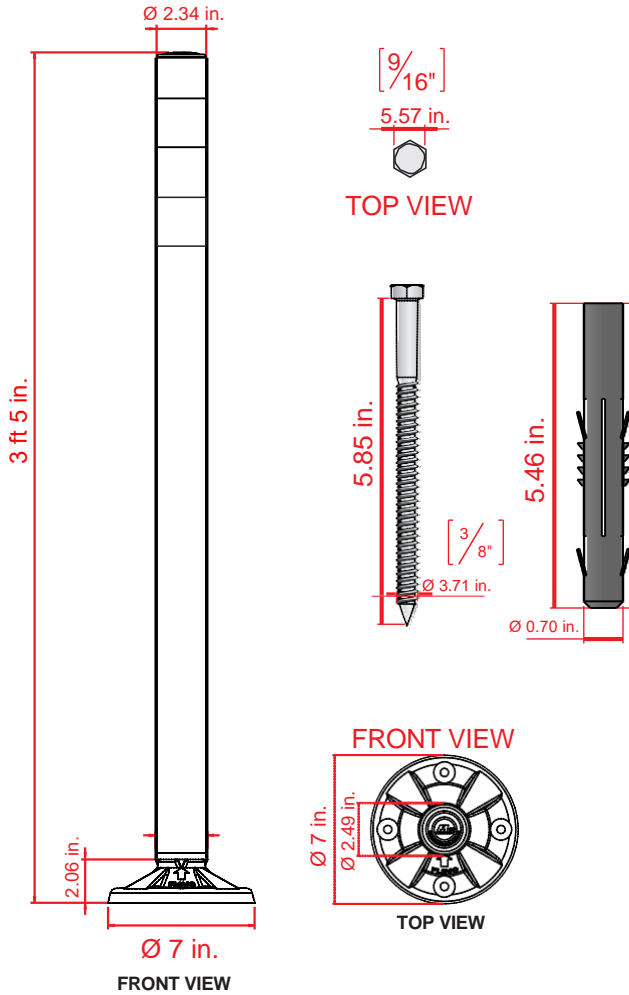
- Vehicle impact resistant.
- It returns to its original position after an impact. It bears more than 5,000 collisions.
- Made of highly resistant plastic that doesn't damage vehicles.
- It bears accidental collisions lower than 5.5 US ton.
- Line color: Yellow, white, green, or blue of great visibility.
- It includes two Engineer Grade Prismatic reflective stripes that improve its visibility at night.
- Easy to install and replace.
- To achieve secure floor anchoring, you will need four screws, four 3/8" flat washers, and four Extralarge anchors (not included).
- **IT HAS THE OPTION OF ADDING A LIGHTING SYSTEM**
- Smart Solar Lighting System.
- 5 ultra-bright LEDs.
- 40000 mcd with a low current of 18000 mA and 40000 mW.
- Colors: Amber, red, green, blue, and white.



BRIO 105 DELINEATOR POST

Code: BBRIO-105

Volumes, dimensions, and other measures are nominal and may vary by approximately 2 %.



Measures

Total	Height: 3 ft 5 in. Base $\varnothing 7$ in. Top $\varnothing 2.34$ in.
Reflective:	2.34 in. x 7 in. stripe.
Reflective color:	White or amber.
Weight:	2.28 lb.

Installation

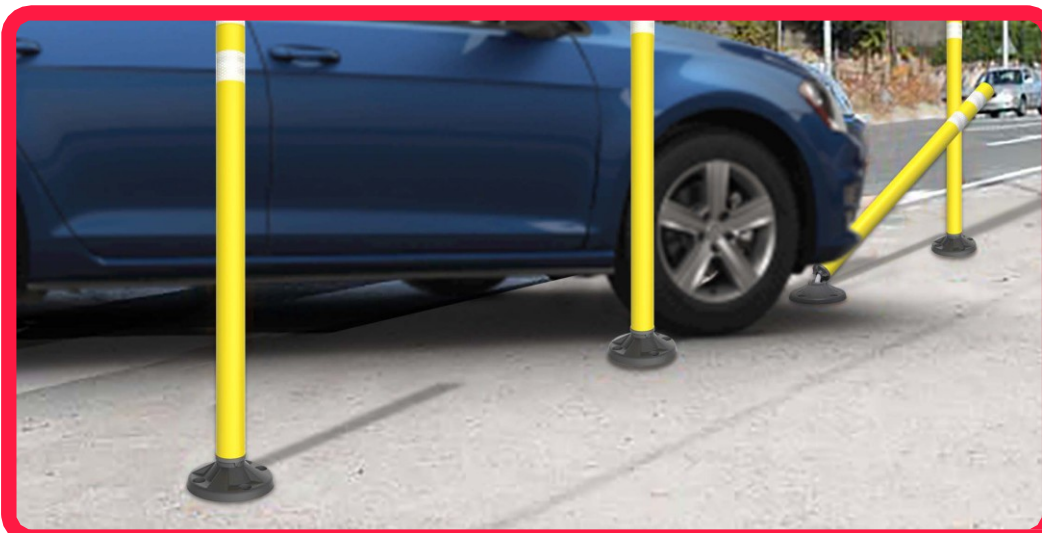
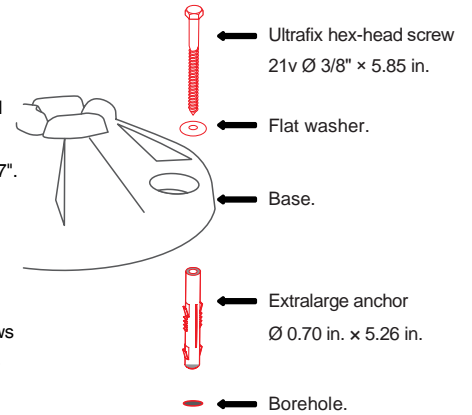
Use the base of the delineator post as a template.

Mark the four boreholes with a drill and a $\frac{3}{4}$ " concrete drill bit.

Bore into the holes to a depth of 7". Place the anchors on the boreholes.

Put the delineator post. Insert the screws and the $\frac{3}{8}$ " flat washers.

Perfectly tighten the four screws with a $\frac{9}{16}$ " socket wrench. The installation is ready.



+ safety
+ resistance
- price