

STAINLESS-STEEL PAVEMENT MARKER

Code: BAC-330

A leader doesn't follow steps, **he marks the way.**



WHAT'S A STAINLESS-STEEL PAVEMENT MARKER?

- This horizontal road traffic control device works mainly as a speed hump, parking stop, or zone delineator in roadways, highways, and city streets.
- The body doesn't deform or change even with friction and abrasion.
- Made specially to endure heavy traffic.
- It's highly visible during the day and night due to its tempered glass sphere inside.
- It works mainly to delimit lanes, contraflow lanes, parking lots, or as a speed hump.
- Easy to install: It can be anchored on any surface and you only need four nails.
- Maintenance-free.
- Due to its design, doesn't damage tires or the car suspension.

The robust body facilitates its identification.

Features

	Pavement marker
Material:	Stainless steel sheet.
Sheet gauge:	10.
Finish:	2B.
Total measures:	Length: 8.97 in. Width: 8.97 in. Height: 3.31 in.
Color:	Yellow.

Sphere

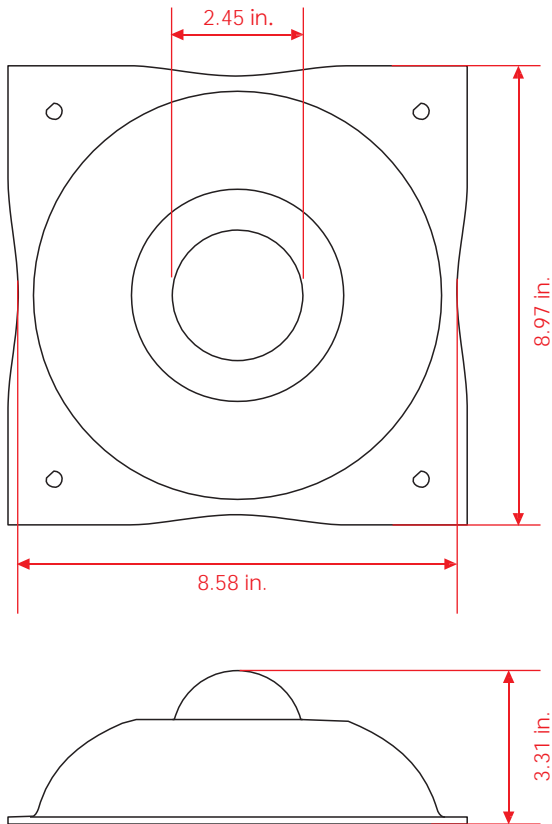
Material:	Thermal tempered silica glass.
Measures:	Diameter: 2.22 in. Height: 1.10 in.
Color:	Natural.



STAINLESS-STEEL PAVEMENT MARKER

Code: BAC-330

Volumes, dimensions, and other measures are nominal and may vary by approximately 2%.



Measures

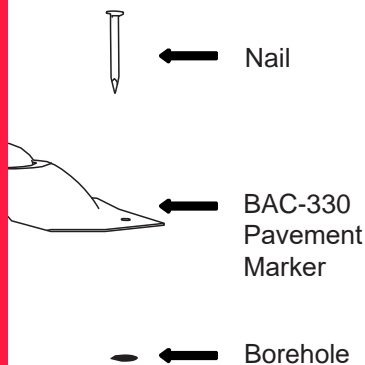
Material:	Steel.
Measures:	Length: 8.97 in. Height: 3.31 in.
Approx. weight:	5.41 lb.



The surface needs to be dry and clean.
Mark the distribution of every pavement marker.

Two installation methods:

- **Asphalt:** Mark the four boreholes. Place the stainless-steel pavement marker on the place assigned. Then start pounding. You can apply epoxy glue on the base (optional). Make sure not to mistreat the pavement marker by carefully pounding the four $\frac{1}{4} \times 3$ " nails.
- **Concrete:** Mark the boreholes on the concrete with a $\frac{3}{16}$ " drill bit to a depth of 3". Insert the four $\frac{1}{4} \times 3$ " nails and pound them.



EPOXY GLUE PREPARATION:

1. Mix equal amounts of the "a" and "b" formulas.
2. Stir until the formulas are well combined.
3. Since you can only use it once, get rid of the remaining epoxy glue once the job is finished.