

# ALUMINUM ROAD STUD

Code: BA-200

A leader doesn't follow steps, **he marks the way.**

## WHAT'S AN ALUMINUM ROAD STUD?

This horizontal road traffic control device works mainly as a speed hump, parking stop, or zone delineator in roadways, highways, and city streets.

Extremely durable and elegant.

It channels traffic flow bringing safety to the proximities of dangerous zones.



## Features

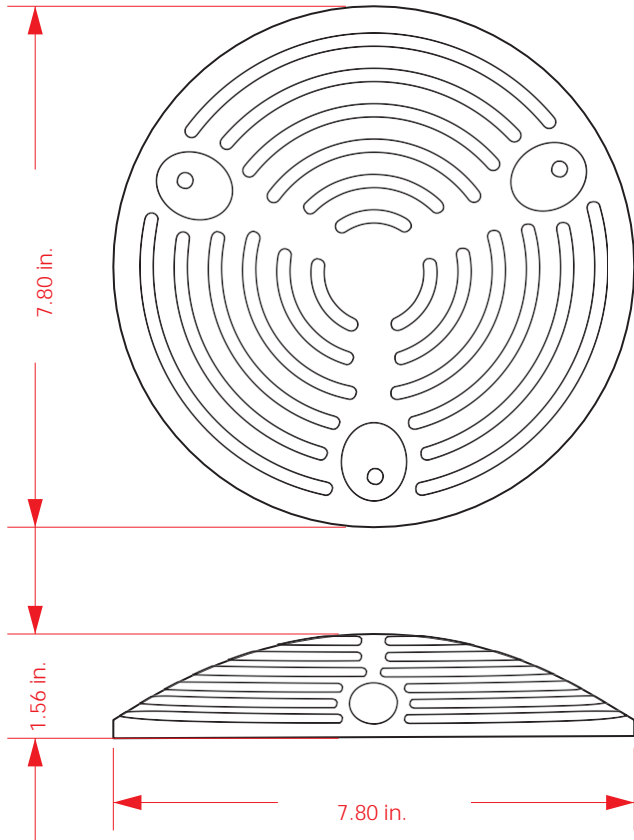
- It's specially designed to delimit and channel vehicles.
- Perfect to delimit public transport lanes, bike lanes, or work as a speed hump, etc.
- It's almost indestructible since it has high resistance to traffic collisions.
- Offers low friction to tires.
- Made specially to endure heavy traffic.
- Maintenance-free.
- The state-of-the-art design makes it visible from every angle.
- It doesn't have corners or sharp ends that could harm the user.
- Adaptable to any kind of pavement.
- Easy to install due to its three boreholes.  
You can use nails or *Extralarge* anchors for it.



# ALUMINUM ROAD STUD

Code: BA-200

Volumes, dimensions, and other measures are nominal and may vary by approximately 2%.



## Measures

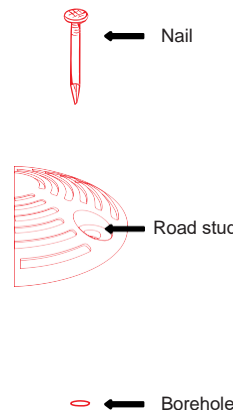
<b>Material:</b>	Aluminum.
<b>Measures:</b>	Diameter: 7.80 in. × 7.80 in. Height: 1.56 in.
<b>Weight:</b>	1.27 lb.



## Installation.

The surface needs to be dry and clean. Mark the distribution of every road stud.

- **Asphalt:** Mark the three boreholes. Put the road stud on the place assigned. Then start pounding. It has the option of applying epoxy glue on the base. Make sure not to mistreat the road stud by carefully pounding the three  $\frac{1}{4} \times 3$ " nails.
- **Concrete:** Mark the boreholes on the concrete with a  $\frac{3}{16}$ " drill bit to a depth of 3".
- Insert the three  $\frac{1}{4} \times 3$ " nails and pound them. It has the option of applying epoxy glue on the base.
- **Extralarge anchors:** Bore into the holes with a  $\frac{3}{4}$ " concrete drill bit to a depth of 7".
- Insert the anchors. Place the road stud. Put the screws and  $\frac{3}{8}$ " flat washers with a  $\frac{9}{16}$ " socket wrench. Finally, perfectly tighten the three screws.



## EPOXY GLUE PREPARATION:

1. Mix equal amounts of the "a" and "b" formulas.
2. Stir until the formulas are well combined.
3. Since you can only use it once, get rid of the remaining epoxy glue once the job is finished.