

TEMPERED GLASS ROAD STUD

Code: BA-101

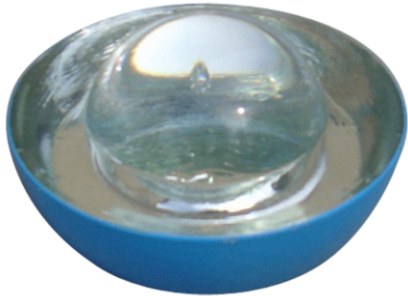
A leader doesn't follow steps, **he marks the way.**

FEATURES

- * This tempered glass road stud doesn't scratch easily but can break with just one great hit.
- * Transparent.
- * Since its reflectivity makes it visible from any side, it reflects like no other.
- * It's a high-demand road element since it's perfect to light up highways, delimit lanes, or as a speed hump.
- * Since it can be embedded in concrete, concrete barriers, or asphalt, it's easy to install.
- * Weather-resistant.
- * The road stud material is thermal tempered glass which means that in case of rupture, it breaks into small and inoffensive pieces making it 100% safe.

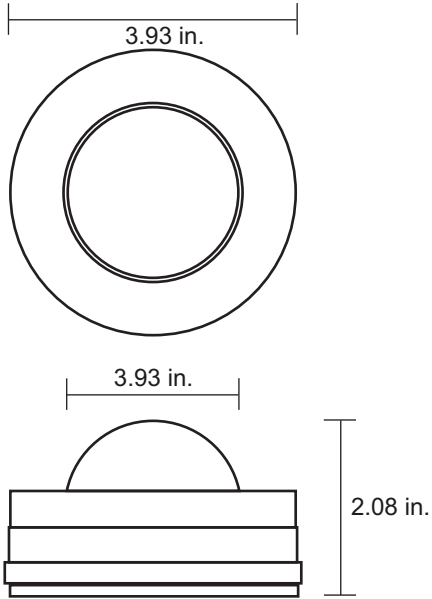


Images are merely illustrative.



Technical Specifications:

- * **Material:** Thermal tempered silica glass.
- * **Glass:** Silica sand.
- * **Measures:** Diameter 3.93 in.
Height: 2.08 in.
- * **Color :** Natural.
- * **Structure:** ABS.



Volumes, dimensions, and other measures are nominal and may vary by approximately 2%.