

ABSORB 190

Code: ABS-190



True leaders do not follow
...they lead the way

WHAT IS AN ABSORB?

Impact attenuator with shock-absorption system, designed to enhance impact energy dissipation.

Modular design that remains aligned and prevents vehicle rebound, as it is pass-through.

Water-filled to absorb light frontal impacts. Ideal as an impact absorber for streets, avenues, and highways, recommended especially for gore areas, deviations, intersections, etc.

Features

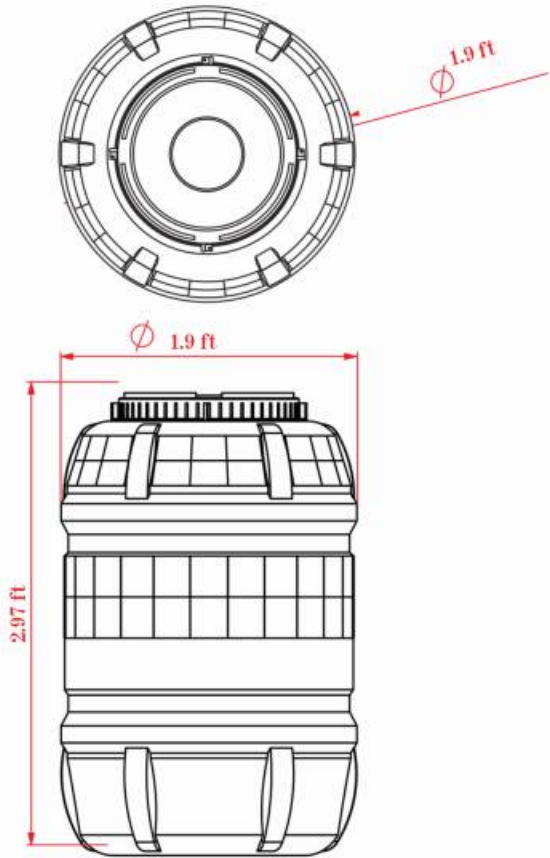
- Optimal protection for installation at hazardous points on medium-speed roads or for use as a warning marker at open storm drain access points.
- Impact absorption system using water as both ballast and cushioning element.
- High protection at a low cost.
- Equipped with reflective warning stripes for enhanced visibility.
- Pass-through impact attenuator.
- Complies with NOM-008-SCT2-2013 standard.
- Available in yellow or blue.



ABSORB 190

Code: ABS-190

Dimensions and other measurements are nominal and may vary by $\pm 2\%$



Features:

* Material:	Polyethylene
* Filling capacity:	41.79 gal
* Impact attenuator weight (empty):	16.56 lb
* Impact attenuator dimensions:	Diameter: 1.9 ft Height: 2.97 ft
* Structure color:	Yellow or blue
* Reflective (optional):	Type "A or B" as needed

