

ABSORB 460

Code: ABS-460

True leaders do not follow
...they lead the way



WHAT IS AN ABSORB?

Impact-absorbing system with modular design, optimized for superior energy absorption. Fully traversable, it eliminates vehicle deflection or rebound.

WHAT IS IT FOR?

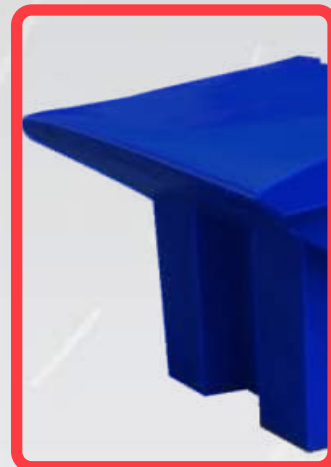
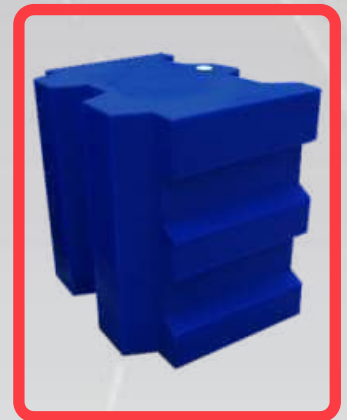
- Filled with water: designed to absorb minor collisions.
- Filled with sand: provides protection against more severe frontal impacts.

PURPOSE

Perfect for use as an impact attenuator on urban roads and highways, particularly suitable for high-risk zones including gore areas, detours, and junctions.

Features

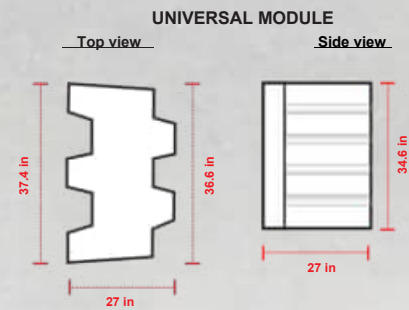
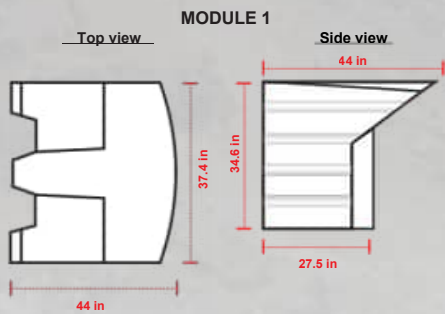
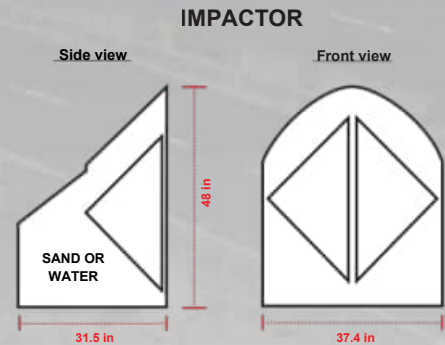
- In minor collisions, the device regains its original shape; under stronger impacts, it efficiently absorbs crash energy.
- Its operation is based on three configurations:
 - *Impactor*: Recommended for streets with low traffic flow.
 - *Impactor + Module 1*: Suitable for higher-traffic road sections.
 - *Impactor + Module 1 + Universal Module*: Provides greater impact coverage, expandable up to 6 modules depending on road risk level.
- It is manufactured in one-piece solid structures.
- Available in yellow, blue, or green.
- The system is self-refilling with rainwater through a top cap.
- Includes a bottom cap for easy draining.
- Ensures high resistance to weather and UV rays.
- The device is fully traversable.
- **Complies with NOM-008-SCT2-2013.**
- Equipped at the front with two prismatic engineering reflective arrows for improved visibility at night or in low-light areas.
- One day of solar charge: up to 36 hours of flashing operation.
- Automatic system: turns on at dusk and off at dawn.
- High-capacity battery: ensures up to 36 hours of continuous use after a full charge.



ABSORB 460

Code: ABS-460

Volumes, dimensions and other measurements are nominal and may vary by $\pm 2\%$



Features

* Impactor dimensions:	Length: 31.5 in, Width: 37.4 in Height: 44 in
* Reflective (optional):	Prismatic engineering
* Reflective color:	White
* Impactor weight (empty):	66 lb
* Module 1 weight (empty):	79 lb
* Universal Module weight (empty):	66 lb
* Impactor filling capacity:	101 gal
* Module 1 filling capacity:	75 gal
* Universal Module filling capacity:	68 gal

IMPACT ABSORPTION LEVELS WITH WATER-FILLED CONFIGURATION

