

ABSORB 100 BOLLARD

Code: ABS-100

A leader doesn't follow steps, **he marks the way.**

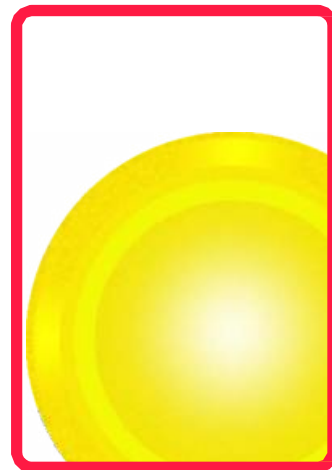


WHAT'S AN ABSORB 100 BOLLARD?

- A resistant and protective device. Its main function is to absorb impacts and work as a traffic delineator.
- It returns to its original shape in minor collisions, but it absorbs the impact in strong ones. Besides, it avoids vehicles invade forbidden zones or it can work as a delineator.
- Since it prevents vehicles to park on the sidewalks or enter a pedestrian zone, it's mainly suggested in rows or curves.

Features

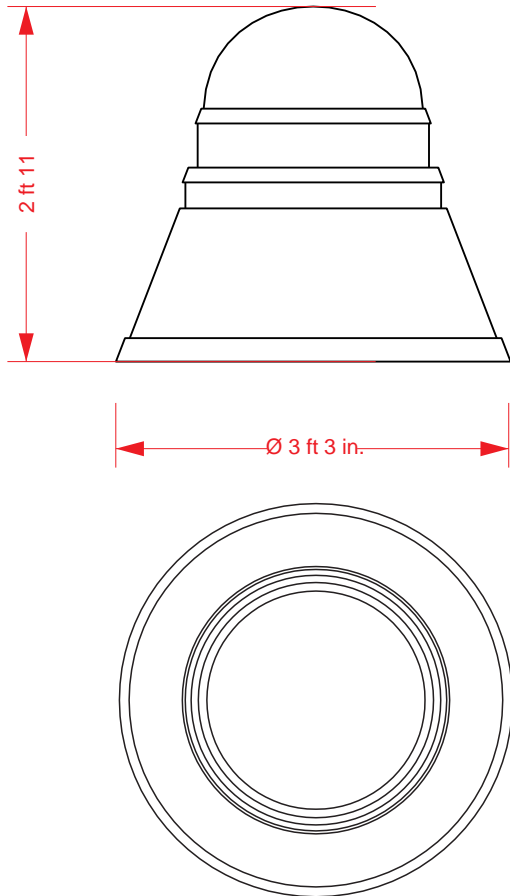
- This preventive road accessory is effective as a delineator.
- The main function of this bollard is to prevent vehicles from crossing or parking in forbidden zones.
- It contributes to a safer environment.
- Made of medium-density polyethylene.
- UV protection.
- Great durability.
- Easy to install.
- Two reflective stripes for higher visibility at night.
- It can be filled with water or sand for better performance.



ABSORB 100 BOLLARD

Code: ABS-100

Volumes, dimensions, and other measures are nominal and may vary by approximately 2%.



Measures

Total	Height: 2 ft 11 in. Diameter: 3 ft 3 in.
Reflective:	Height: 3.12 in. Width: Ø 24.18 in. and 27.3 in.
Reflective color:	Amber or white
Weight PF-70:	Pending

Easy to install.

