

PC-30 SHARPS AND BIOHAZARD WASTE CONTAINER

CODE: PC-30

DESCRIPTION

Designed for the safe collection of sharps in medical environments. Manufactured from durable materials and equipped with a secure lid that prevents unintended access, along with an opening specifically designed for the disposal of needles and other hazardous objects.

Complies with safety regulations and is easy to use in hospitals, clinics, and laboratories, ensuring protection for healthcare professionals and the environment.

Specially engineered for controlled-incineration use, ensuring clean and safe combustion. The chlorine-free material and minimal heavy-metal content significantly reduce pollutant emissions during the incineration process.



FEATURES

- High-strength design that ensures container integrity when handling sharps
- Lightweight and easy to transport, suitable for use in various work areas
- Appropriate for medical environments such as hospitals, clinics, and laboratories
- Ergonomically designed opening that enhances usability and safety
- Complies with safety standards for medical waste management
- Hermetic lid to prevent accidental openings and the spread of contaminants



Complies with
**NOM-087-SEMARNAT-2002
STANDARD**



Biological
waste only



Hazardous
waste only



Sharp object
protection





Controlled
incineration



DIMENSIONS

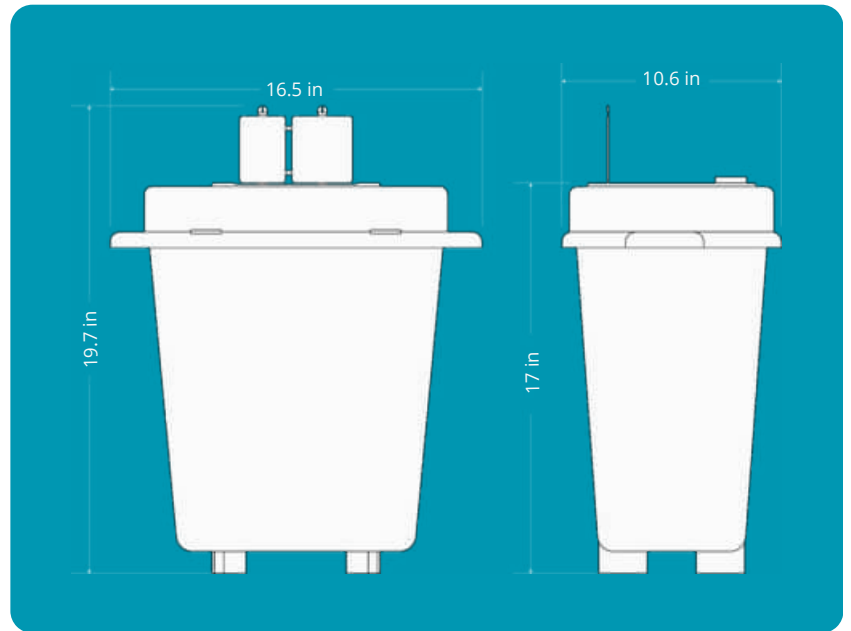
 Length	10.6 in
 Width	16.5 in
 Height	17 in
 Capacity	7.9 gal
 Weight	33.1 oz

MATERIAL COMPOSITION

	Chlorine-free
	Total heavy-metal content: ≤ 1 ppm

DESIGN & USE

- The **PC-30 Sharps and Biohazard Waste Container** ensures a safe and efficient way to dispose of needles, syringes, and other potentially dangerous sharps in healthcare settings
- Designed to minimize risks and prevent accidents, it provides reliable containment of hazardous waste
- The secure lid and specialized disposal opening provide controlled, user-friendly operation
- Perfect for hospitals, clinics, and labs, helping meet safety standards and maintain a clean, contamination-free workspace



Safe handling of waste

PC-30 SHARPS AND BIOHAZARD WASTE CONTAINER