

# SILVERWARE BIN FOR UTILITY CARTS

## DESCRIPTION

The material of the **SILVERWARE BIN** is HDPE which gathers the highest fluidity conditions and the highest resistance to hits and breaks.

- It's specially made to be mounted on the end of the plastic and stainless-steel carts.
- Rectangular bin.
- Two high-quality stainless steel shelf hooks.
- The shelf hooks are fastened with rivets for a better grip.
- UV protection.
- Highly resistant to weather conditions.

## FUNCTIONALITY

Since it's practical for storing different things, the **SILVERWARE BIN** is perfect for utility carts.

## CUSTOMIZATION

According to your needs, it can be labeled with your logo or the caption of the type of material it contains.



## FEATURES

**CAPACITY:** 7.5 L (1.98 US gal)

**COLOR:** Gray

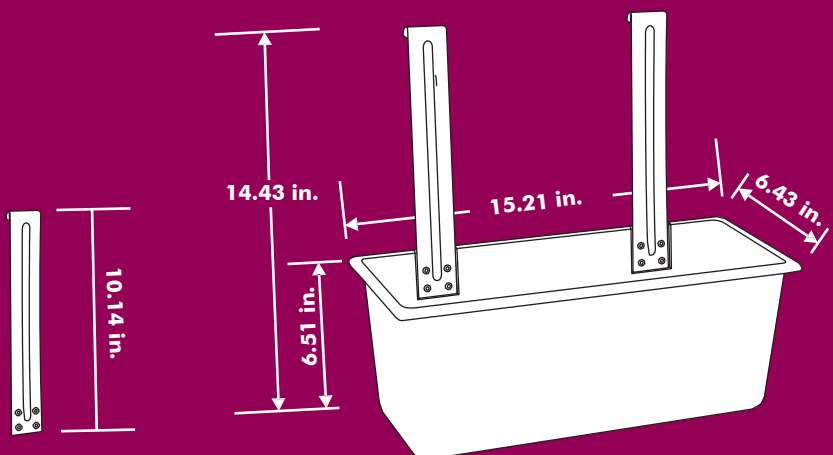
### MEASURES:

**Length:** 15.40 in.

**Width:** 6.43 in.

**Height:** 6.51 in.

**Total height:** 14.43 in.



Volumes, dimensions, and other measures are nominal and may vary by approximately 2%.

