

RECIBIN 60-40

DOUBLE-STREAM RECYCLING BIN



DESCRIPTION

The material of the **RECIBIN 60-40 Recycling Bins** is medium-density polyethylene which guarantees a long service life.

- Conical, modern, and state-of-the-art design.
- It comes in two presentations.
- 2 stream recycling bin.
- It has two liner rings that make it perfect to attach trash bags and stop them from sticking out.
- The lid has two openings for waste separation.
- It enhances the surroundings where it's placed.

FUNCTIONALITY

Its decorative features make it perfect for indoor use.

- Since it has two openings, it reduces the time for waste collection.
- Facilitates waste collection.

Note: If the trash bag isn't placed correctly, it can stain you when discharging waste.

CUSTOMIZATION

According to your needs, it can be labeled with your logo or the type of material it contains.

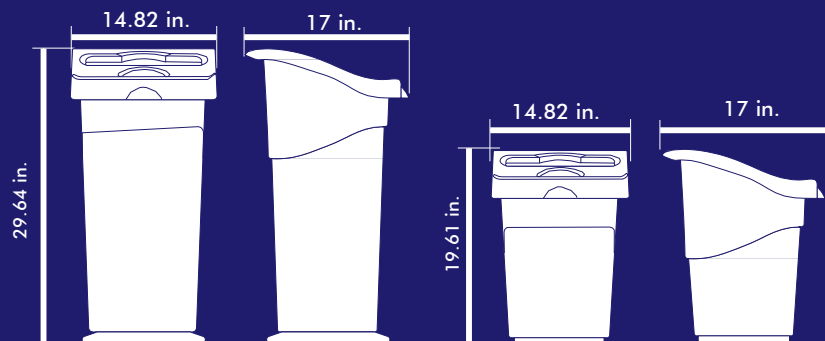
FEATURES

COLOR: Black container and blue lid.

MEASURES:

60: Large: 17 in.
Width: 14.82 in.
Height: 29.64 in.
Weight: 11.74 lbs.

40: Large: 17 in.
Width: 14.82 in.
Height: 19.61 in.
Weight: 6.57 lbs.



Dimensions and other measurements are nominal and may vary by $\pm 2\%$

