

RECYCLE 180

Recycle station 360/540



DESCRIPTION

This **Recycling Station** consists of two or three trash cans of 180 L (47 US gal) made of medium-density polyethylene which guarantees a long service life.

- Unique and striking design perfect for outdoor use.
- It can have a cover on top that helps prevent the deposit of larger trash bags.
- The waste containers are mounted over three or four highly aesthetic and robust supports made of black or olive polyethylene which grants them excellent fastening.
- Temperature resistant and UV protection.
- It has the option of adding more trash cans in different colors to identify different types of residues on the same metal frame and turning it into a recycling station.
- This recycling station is anti-vandal and anti-graffiti.
- Installation mode: Place the supports on the floor. Insert 4 **Extralarge** dowels and 4 **Ultrafix** screws on each one (not included.)

FUNCTIONALITY

It enhances the surroundings where it's placed. Perfect to place in parks, schools, colleges, beaches, streets, avenues, residential units, government buildings, etc.

- You can discharge the trash can by tilting it.
- The cover is optional.

CUSTOMIZATION

According to your needs, it can be labeled with your logo or the type of material it contains.

FEATURES

CAPACITY: 180 L (47.52 US gal).

COLOR: Yellow, gray, blue, and green.

WASTE CONTAINER MEASURES:

Length: 25.42 in.

Width: 19.18 in.

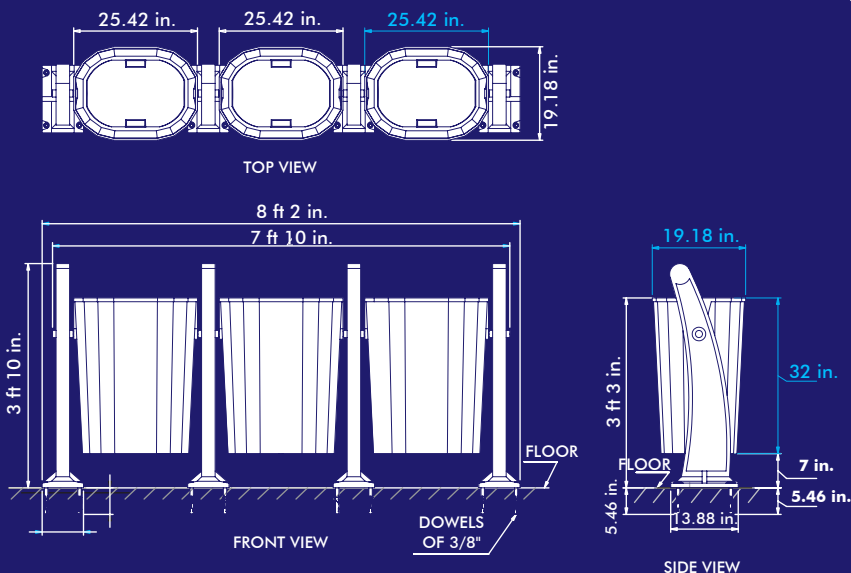
Height: 32 in.

RECYCLE 540 TOTAL MEASURES:

Length: 8 ft 2 in.

Width: 19.18 in.

Height: 3 ft 10 in.



Dimensions and other measurements are nominal and may vary by $\pm 2\%$

