

OLE 210 PUSH DOOR TRASH CAN



CUSTOMIZATION

According to your needs, it can be labeled with your logo or the type of material it contains.

DESCRIPTION

The material of the **OLE 210 Push Door Trash Can** is medium-density polyethylene through a rotational molding process which gathers higher resistance to impacts and avoids deformations.

- It has two parts: a trash can and a lid.
- UV protection.
- Highly resistant to weather conditions.
- The detachable lid has a push door that avoids bad odors.

FUNCTIONALITY

- The **PUSH DOOR TRASH CAN** is ideal for outdoor and indoor waste separation.
- Since it's perfect for waste collection, it helps keep public spaces clean.
- Ideal for shopping malls, schools, and offices.
- Easy to clean.
- Avoids sources of infection.

FEATURES

CAPACITY: 210 L (55.44 US gal).

WEIGHT: 30.80 lbs.

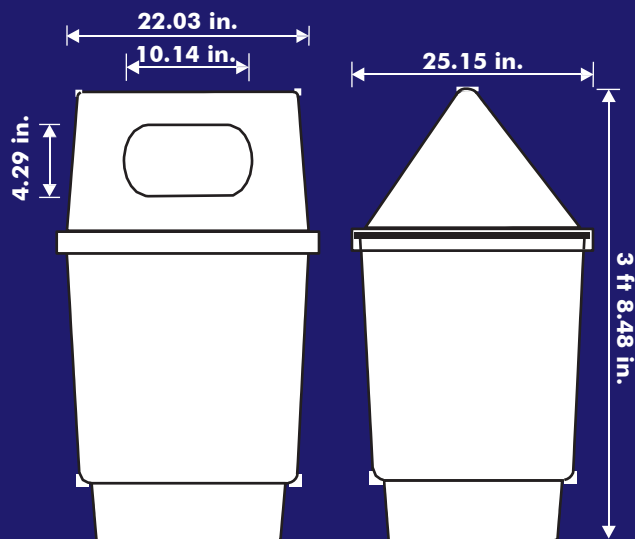
COLORS: Green, gray, blue, orange, yellow, and red.

MEASURES:

Length: 22.03 in.

Width: 25.15 in.

Height: 3 ft 8.48 in.



Volumes, dimensions, and other measures may vary by approximately 2%.

