

MADRID PUSH DOOR TRASH CAN



CUSTOMIZATION

According to your needs, it can be labeled with your logo or the type of material it contains.

DESCRIPTION

The material of the **MADRID Push Door Trash Can** is medium-density polyethylene through a rotational molding process which gathers higher resistance to impacts and avoids deformations.

- UV protection.
- It has resistance to weather conditions.
- The detachable lid has a push door that avoids bad odors.
- The opening of 3.70 in. × 9.75 in. on the lid avoids the deposit of larger trash bags.

FUNCTIONALITY

The **MADRID PUSH DOOR TRASH CAN** is ideal for outdoor and indoor waste separation.

- Since it's perfect for waste collection, it helps keep public spaces clean.
- Ideal for shopping malls, schools, and offices.
- Easy to clean.
- Avoids sources of infection.

FEATURES

CAPACITY: 140 L (36.96 US gal).

WEIGHT EMPTY: 22.88 lbs.

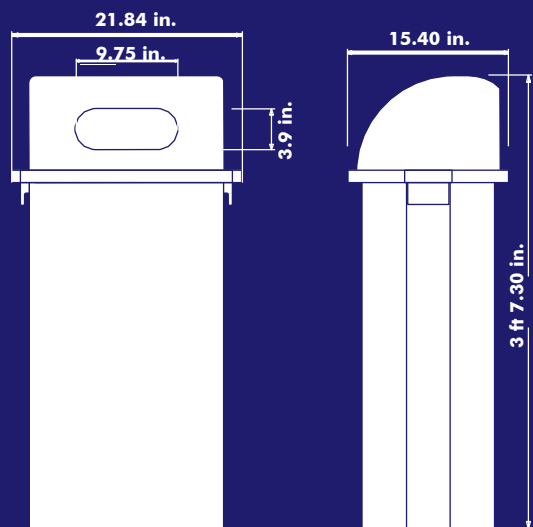
COLORS: Green, blue, red, gray, yellow, and orange.

MEASURES:

Length: 21.84 in.

Width: 15.40 in.

Height: 3 ft 7.30 in.



Volumes, dimensions, and other measures may vary by approximately 2%.

