

DOME TRASH RECEPTACLE



DESCRIPTION

The material of the **DOME Trash Receptacle** is medium-density polyethylene through a rotational molding process which gathers higher resistance to impacts and avoids deformations.

- It has two parts: a trash receptacle and a lid.
- Walls thickness: 4 mm.
- It has UV protection which avoids discoloration.
- It's resistant to weather conditions.
- Optional liner.
- It can have a lid on one side, on both sides, or on top.
- The detachable lid is secured by a hinge.
- Smooth on the inside.

FUNCTIONALITY

The **DOME Trash Receptacle** is ideal for organic and inorganic waste collection.

- Perfect for parks, shopping malls, and more.
- The variety of lids can adapt to every type of residue.
- It works as a temporary waste container.
- Easy to clean.
- Avoids sources of infection.
- It has a base bracket that prevents falls by the wind.

CUSTOMIZATION

According to your needs, it can be labeled with your logo or the type of material it contains.

FEATURES

CAPACITY: 120 L (31.68 US gal).

WEIGHT: 33 lbs.

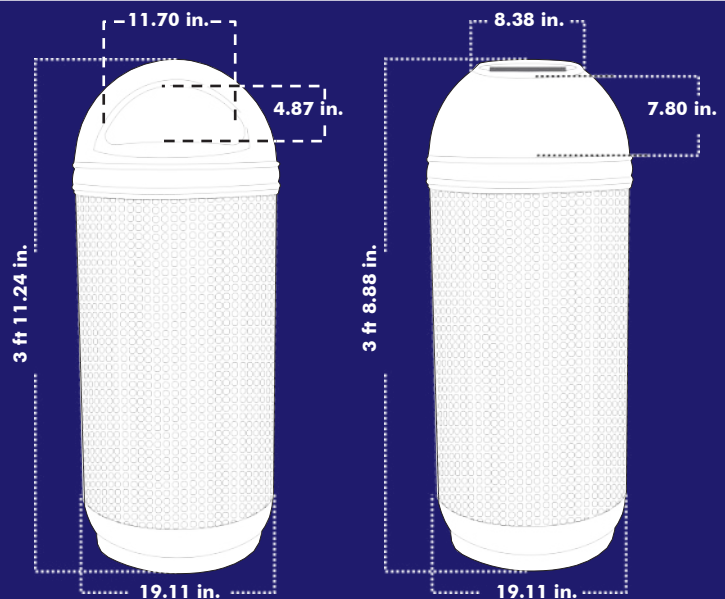
COLORS:

White granite, desert sand, gray, and green.

MEASURES:

Width: 19.11 in.

Height: 3 ft 11.24 in.



Volumes, dimensions, and other measures are nominal and may vary by approximately 2%.

