

CR 60 POLE MOUNT TRASH CAN



CUSTOMIZATION

According to your needs, it can be labeled with your logo or the type of material it contains.

DESCRIPTION

The material of the **CR 60 Pole Mount Trash Can** is medium-density polyethylene through a rotational molding process which gathers higher resistance to impacts and avoids deformations.

- UV protection.
- It's resistant to weather conditions.
- It has an access key to take out waste.
- It has an opening of 3.9 in. between the top and trash can prevent the deposit of trash bags bigger than 6 to 8 L (1.58 to 2.11 US gal).
- A lock for discharge.
- It has three mounting options: A pole for embedding it to the floor, for display, or with a screw plate.

FUNCTIONALITY

- The **CR 60 POLE MOUNT TRASH CAN** is ideal for outdoor waste separation.
- Since it's perfect for waste collection, it helps keep public spaces clean.
- Useful for public roadways.

FEATURES

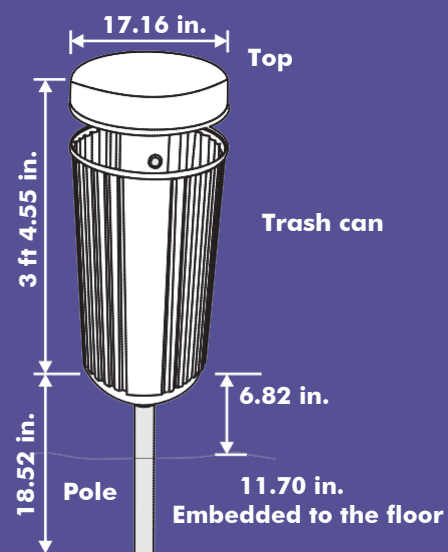
CAPACITY: 60 L (15.84 US gal).

COLORS: Green, blue, and gray.

MEASURES:

Diameter: 17.16 in.

Height: 3 ft 4.55 in.



Volumes, dimensions, and other measures may vary by approximately 2%.

