

# TIUM-VC13 BOWL-SHAPED PLANTER

CODE: TIUM-VC13

## DESCRIPTION

The TIUM VC13 Bowl-Shaped Planter is manufactured from high-strength polymer and molded as one continuous piece, free of joints or riveted sections. This construction prevents weak points, delivering superior structural integrity and dependable long-term performance.

Designed for outdoor use, the unit endures demanding weather conditions, offers reliable UV resistance, and can be customized with or without a decorative finish to match diverse design aesthetics.



## FEATURES

- Manufactured from durable, high-strength polymer
- Designed to resist moderate impacts
- Available with optional aesthetic coating
- Built to endure continuous exposure to sunlight, rain, moisture, frost, and rapid temperature changes
- Provides more than 5 years of outdoor performance without noticeable loss of quality or appearance
- Can be produced in custom corporate or thematic colors for hotels, parks, and other branded environments






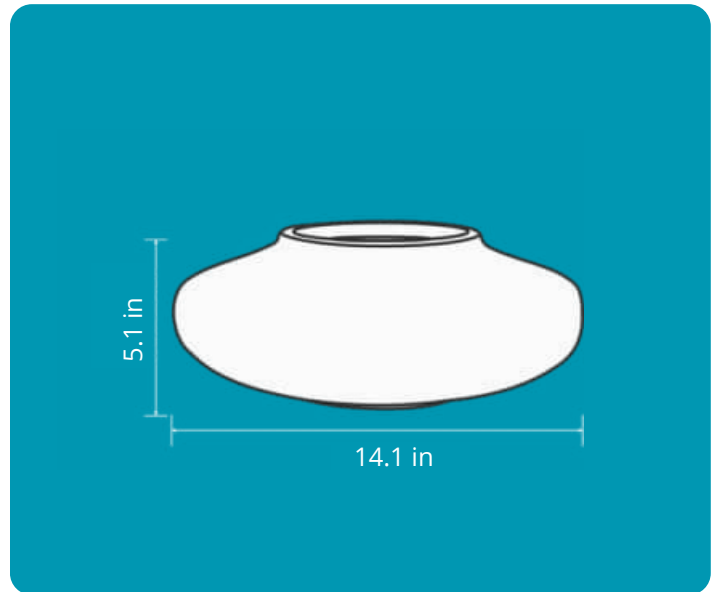
Resists sudden temperature changes



Built-in reabsorption mechanism

## DIMENSIONS

 Height	5.1 in
 Diameter	14.1 in
 Weight	1.8 lb



Planter color coding:



## DESIGN & USE

- Suitable for gardens, parks, terraces, and styled indoor areas
- Excellent for low-growing plants, succulents, floral arrangements, and hanging or cascading varieties
- The design ensures an optimal weight that makes transporting and installing the planter exceptionally easy

Bring your plants to life  
by incorporating the

**TIUM-VC13  
BOWL-SHAPED  
PLANTER**