

# TIUM-CO25 BOWL-SHAPED PLANTER

CODE: TIUM-CO25

## DESCRIPTION

The TIUM-CO25 Bowl-Shaped Planter combines elegant design, functionality, and durability. Made from high-resistance polymer, it is molded as a single piece, eliminating joints or riveted seams and ensuring superior strength during use.

The material composition allows the product to withstand extreme weather conditions and provides UV protection, preserving color and shape even in outdoor environments. Available with or without coating, the unit adapts to a variety of decorative styles.

This functional design helps retain moisture, making watering and plant care easier. Ideal for plazas, gardens, green rooftops, homes, and offices, it adds a natural and sophisticated touch to any space.



## FEATURES

- High-resistance polymer construction
- Impact- and deformation-resistant
- Special additives prevent discoloration, brittleness, and surface wear
- Suitable for long-term outdoor use without losing color or texture
- Designed for indoor and outdoor applications
- Shape helps retain moisture in the substrate
- Available with or without coating
- Ideal for homes, offices, gardens, plazas, green rooftops, hotels, and public spaces





Resists sudden temperature changes

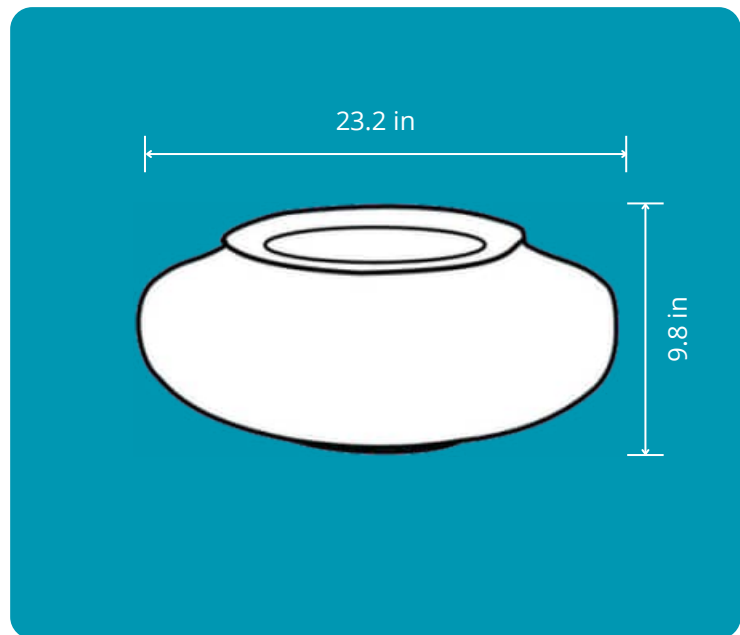


Built-in reabsorption mechanism

## DIMENSIONS

 Height	9.8 in
 Diameter	23.2 in

Planter color coding:



## DESIGN & USE

- Resistant to impacts, deformation, and extreme environmental conditions
- Keeps plants hydrated for longer periods, reducing the need for frequent watering
- Suitable for gardens, plazas, offices, homes, green rooftops, and both indoor and outdoor spaces
- Lightweight for easy handling, transport, and installation
- Elegant, timeless design that enhances any environment
- Manufactured from durable, recyclable material

Bring your plants to life  
by incorporating the

**TIUM-C025 BOWL  
SHAPED PLANTER**