

TIUM-CO18 BOWL-SHAPED PLANTER

CODE: TIUM-CO18

DESCRIPTION

The TIUM-CO18 Bowl-Shaped Planter combines elegance, strength, and functionality in a single product. Manufactured from high-resistance polymer, this one-piece molded body contains no joints or riveted seams, ensuring maximum durability and eliminating potential weak points.

Engineered to withstand daily use and extreme weather conditions, it is suitable for both indoor and outdoor environments. UV protection keeps its color and shape intact over time. Available with or without coating, it adapts easily to different styles and decorative requirements.



FEATURES

- Made from enhanced-strength polymer
- UV protection to maintain long-lasting color and appearance
- Designed to withstand diverse climate conditions
- Promotes efficient moisture retention within the growing substrate
- Available in coated and uncoated versions
- Easy to move and reposition as needed
- Perfect for residential, corporate, commercial, and hospitality environments—including homes, offices, gardens, rooftops, plazas, and hotels
- Produced using recyclable materials



Resists sudden temperature changes

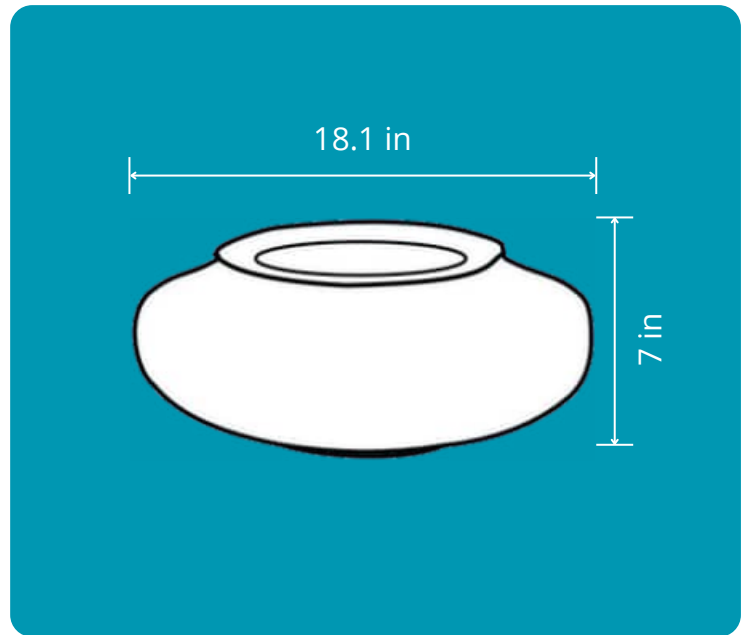


Built-in reabsorption mechanism

DIMENSIONS

 Height	7 in
 Diameter	18.1 in

Planter color coding:



DESIGN & USE

- Engineered to withstand impacts, warping, and severe climate conditions
- Enhances moisture retention, allowing plants to stay hydrated longer and minimizing watering cycles
- UV stability preserves both color and form despite long-term sun exposure
- Simplifies plant maintenance—perfect for users with limited time

Bring your plants to life
by incorporating the

**TIUM-C018
BOWL-SHAPED
PLANTER**