

# BOWL-SHAPED PLANTER

CODE: TIUM-CO16

## DESCRIPTION

The Bowl-Shaped Planter combines design, durability, and everyday practicality in a single product. Manufactured from high-strength polymer, it features a seamless, rivet-free body that eliminates weak points and ensures long-lasting performance.

The moisture-retaining design helps maintain substrate hydration for longer periods, reducing watering frequency and simplifying maintenance.

Built to withstand sunlight and harsh weather conditions, it fits seamlessly into indoor or outdoor environments, bringing a touch of elegance to gardens, terraces, plazas, offices, and modern home interiors.



## FEATURES

- Built from high-grade, 100% recyclable polymer for long-lasting durability
- UV-resistant finish preserves appearance over time
- Engineered to withstand sun, rain, wind, and extreme temperatures
- Enhances soil aeration and moisture retention for healthier plants
- Available with an optional aesthetic coating
- Lightweight yet strong construction enables easy relocation
- Suitable for residential interiors, offices, gardens, terraces, hotels, plazas, and urban outdoor spaces





Resists sudden temperature changes

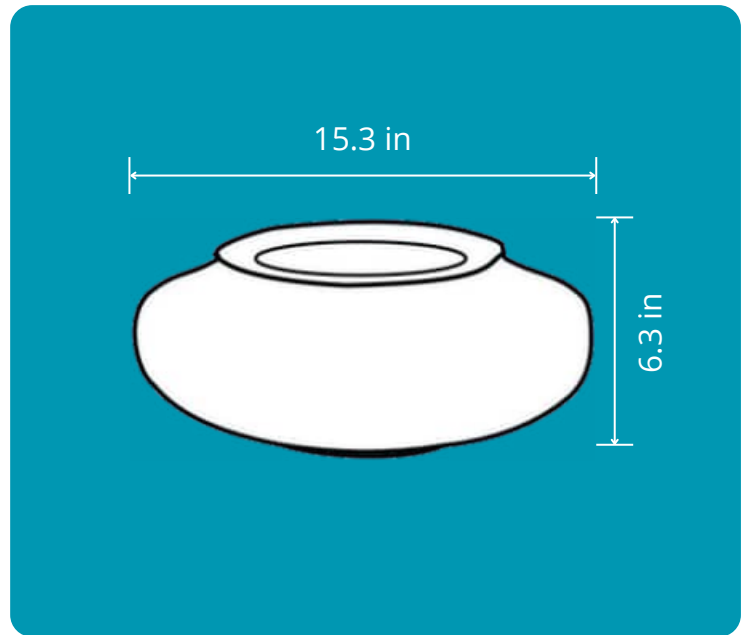


Built-in reabsorption mechanism

## DIMENSIONS

|   |         |
|---|---------|
|  Height   | 6.3 in  |
|  Diameter | 15.3 in |

Planter color coding:



## DESIGN & USE

- Built to endure impacts, deformation, and demanding weather environments
- UV-stable polymer prevents deterioration even under continuous sun exposure
- Promotes extended moisture retention, keeping plants hydrated with less maintenance
- Elegant design that integrates seamlessly into gardens, homes, plazas, offices, and green rooftops

Bring your plants to life  
by incorporating the

## **BOWL-SHAPED PLANTER**