

COMPOST BIN

DESCRIPTION

The material of the **COMPOST BIN** is medium-density polyethylene that gathers the highest resistance to impacts and avoids deformations.

- It's designed to produce compost which is the decomposition of organic products and serves to fertilize the soil.
- UV protection.
- Highly resistant to weather conditions.
- Air vents.

FUNCTIONALITY

- You can place the **Compost Bin** outdoors in any yard or garden; you must fill it as the chart indicates.



CUSTOMIZATION

We can label it with the legend of the type of material or your logo according to your needs.

DO NOT PUT:

Pet waste, meat, bones, dairy products, grease, or oil.

FEATURES

CAPACITY: 450 L (118 US gal)

WEIGHT: 44 lb.

COLORS: Green or gray body with a black lid.

MEASURES:

Top diameter: 20.86 in.

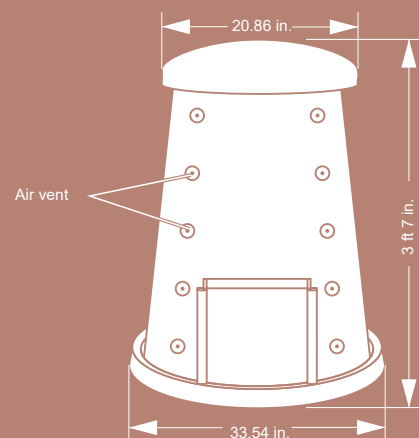
Lower diameter: 33.54 in.

Height: 3 ft 7 in.

LOWER LID

Length: 12.87 in.

Height: 10.53 in.



IDEAL FOR INDUSTRIAL AREAS

