

604 SERVICE TRAY

CODE: CHAROLA BANDEJA 604

DESCRIPTION

The 604 Tray delivers a practical and hygienic solution for item handling, transport, and presentation in hospitality environments. The durable structure, made from high-strength polymer, withstands intensive daily use and maintains shape over time.

High-strength polymer material featuring enhanced flow characteristics, solid structural resistance, and long-lasting durability.



FEATURES

- One-piece manufacturing enhances structural integrity
- Strong resistance to impacts and shape distortion
- Built to withstand outdoor conditions and long-term sun exposure
- UV-protected material
- Rounded finishes improve safety and simplify cleaning
- Smooth surface limits residue buildup
- Stackable configuration maximizes storage efficiency



Resists sudden temperature changes



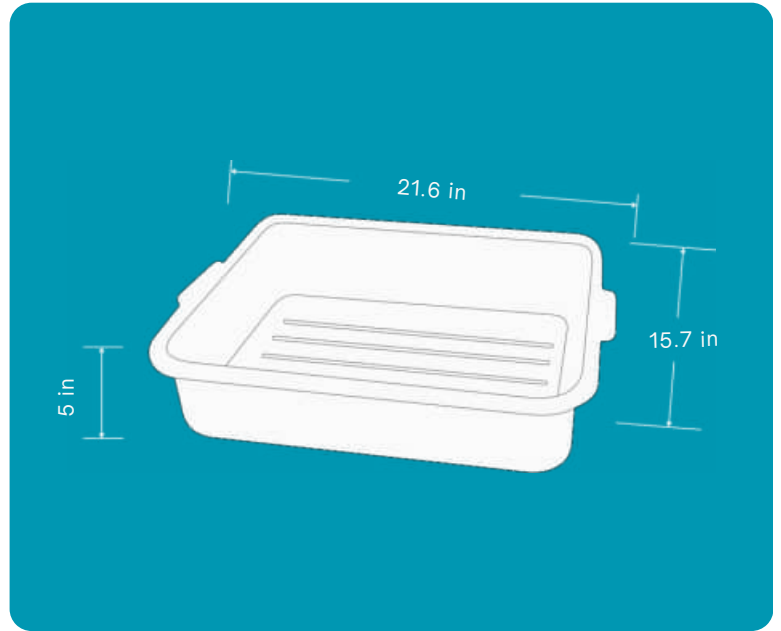
Built to resist impacts



Easy to handle

DIMENSIONS

 Length	21.6 in
 Width	15.7 in
 Height	5 in
 Capacity	5.15 gal



DESIGN & USE

- Efficient transport of food, utensils, and service-related items
- Organized product handling in kitchen areas, reception spaces, and rooms
- Temporary holding of materials and supplies
- Clean and secure display of stored items

Enhance workflow efficiency
through a durable
and functional solution

604 SERVICE TRAY