

1000 GENERAL PURPOSE PLASTIC TILT TRUCK

CODE: VOLQUETE - 1000

DESCRIPTION

A reliable solution for waste collection and transport in industrial, commercial, and urban environments. The robust and functional design enables efficient handling of large waste volumes, helping maintain clean and organized facilities.

Equipped with high-strength wheels for smooth maneuverability. The structure withstands demanding conditions and accommodates various types of waste, including solid and bulky materials.



FEATURES

- **UV resistance** helps maintain material integrity and color during extended outdoor exposure
- Forward-inclined design simplifies waste emptying
- Optional high-strength polymer lid available
- Designed for use in industrial facilities, commercial areas, and public environments
- Durable construction withstands demanding weather conditions
- Hinged lid design improves accessibility
- Metal frame features double-layer protection against corrosion and oxidation



Resists sudden temperature changes







Built to resist impacts

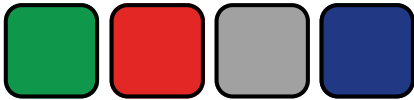


Designed for easy handling

DIMENSIONS

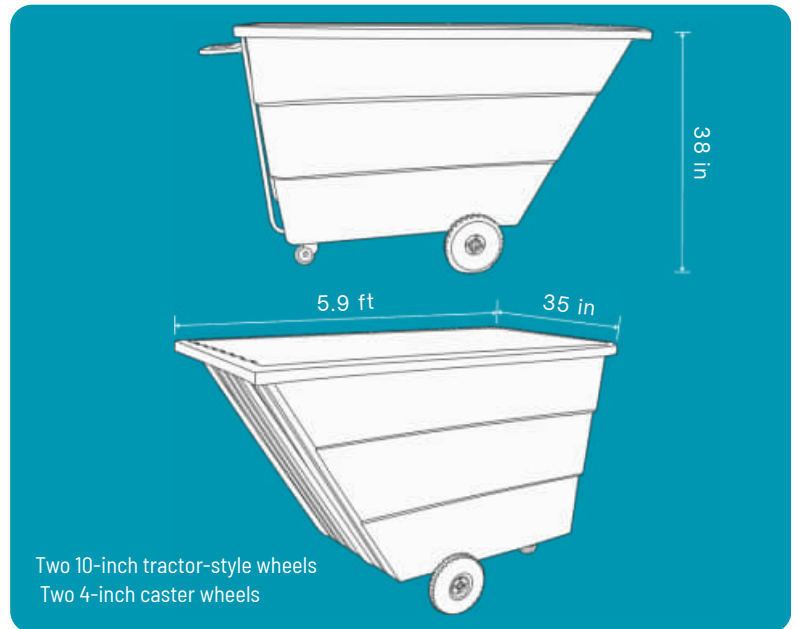
	Length	5.9 ft
	Width	35 in
	Height	38 in
	Weight	134.48 lb
	Capacity	264.17 gal

AVAILABLE COLORS



DESIGN & USE

- Designed for large facilities, Industrial Trash Containers streamline waste handling through high capacity and robust construction. The ability to hold large volumes of waste helps lower collection frequency and improve operational efficiency
- Equipped with industrial wheels and an ergonomic design, these containers allow smooth transport across irregular terrain



Invest in long-lasting durability
and everyday practicality!

**1000 GENERAL
PURPOSE PLASTIC
TILT TRUCK**