

# UTILITY CART WITH DISH SHELVES

CODE: CAMERISTA-HOTELERO

## DESCRIPTION

The Utility Cart With Dish Shelves is a reliable solution for managing cleaning tasks in hotels, healthcare facilities, and commercial settings. Built from robust, premium materials, it delivers generous storage space and convenient access to supplies.

With a practical layout and high-strength wheels, the cart provides easy mobility. Designed to keep large areas organized and improve workflow, the cart is a key asset for housekeeping and service staff.



## FEATURES

- Ample storage space to keep cleaning products and utensils organized
- Ergonomic layout simplifies handling and reduces strain
- Designed for commercial use in hotels, healthcare facilities, and large work areas
- Modern and functional design complements professional environments
- Durable wheels allow easy and secure mobility
- Strong construction using high-quality materials ensures extended service life



Resists sudden temperature changes



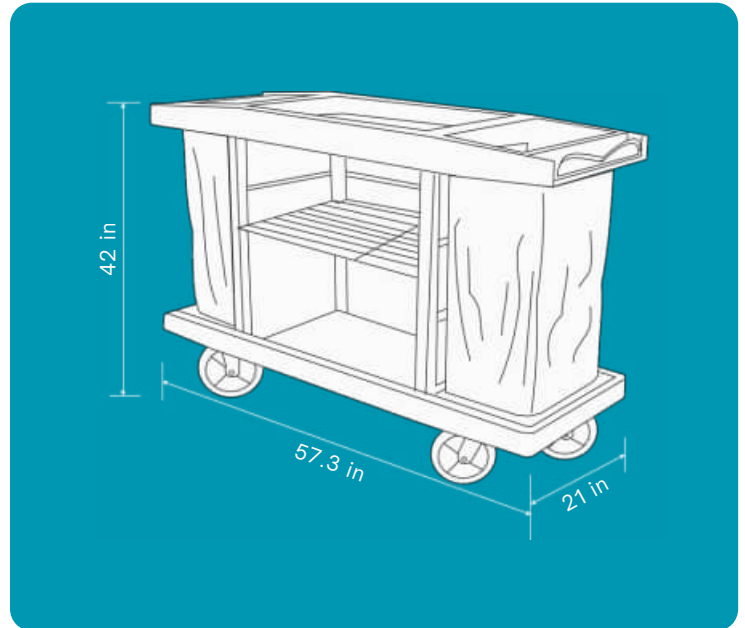
Improved safety for transport and loading



Low maintenance requirements

## DIMENSIONS

 Length	57.3 in
 Width	21 in
 Height	42 in
 Weight	91.5 lb
 Capacity	264.17 gal



## AVAILABLE COLORS

- **Cart body:** Light gray
- **Shelves:** White
- **Bags:** Yellow

## DESIGN & USE

The **Utility Cart With Dish Shelves** improves efficiency in commercial operations by combining a durable frame, strong wheels, and an ergonomic layout for easy handling.

Quick access to cleaning tools and corrosion-resistant construction deliver long-lasting performance, making the cart an essential solution for hotels, hospitals, and professional facilities.

Simplify everyday work

## UTILITY CART WITH DISH SHELVES