

RECI-CEST-18 STACKABLE BIN

DESCRIPTION

The **RECI-CEST-18 STACKABLE BIN** is a small recycling container made of HDPE that gathers the highest resistance and avoids deformations.

- UV protection.
- Highly resistant to weather conditions.
- The empty bins are easily stackable and reduce the storage and transportation space.
- The handle makes it easy to manipulate.
- The handle design allows to pile up the bins since the bottom fits perfectly with the handle of the inferior bin.
- The sloped opening grants easy access.
- The round edges don't harm the user.
- Light and easy to clean.
- Label space.

FUNCTIONALITY

- The **RECI-CEST-18 STACKABLE BIN** is perfect for the recollection of solid waste.
- It can be used for:
 - Apartments, classrooms, offices, kitchens, dorms, drugstores, etc.
- It can also be used in industrial areas, stores, and households for any type of waste.
- They are easily stackable and create a multipurpose recycling station.
- Since it doesn't have edges or defects, it facilitates the cleaning and discharge of waste.



CUSTOMIZATION

We can label it with the legend of the type of material or your logo according to your needs.

FEATURES

CAPACITY: 22 L (6 US gal)

WEIGHT: 2.33 lb.

COLOR: Light gray.

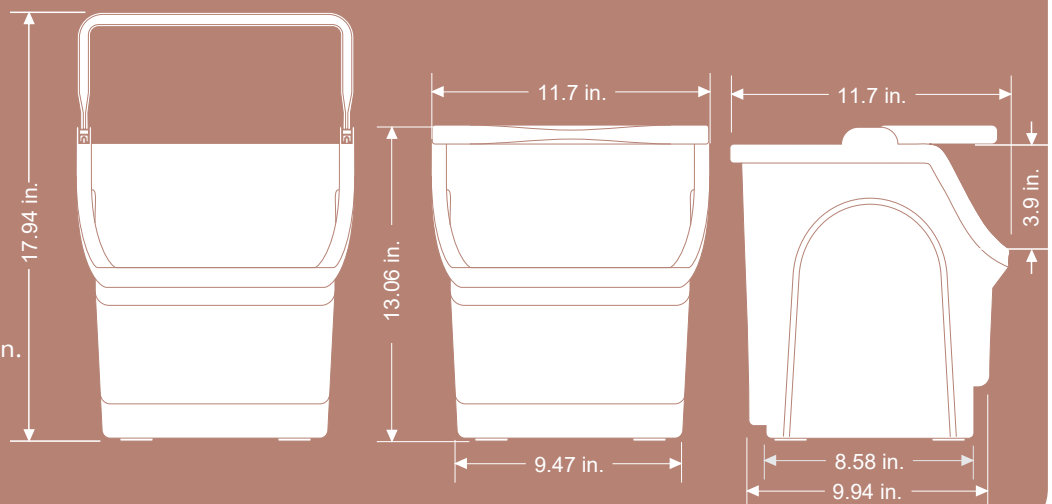
MEASURES:

Length: 11.7 in.

Width: 11.7 in.

Height: 13.06 in.

Height with handle: 17.94 in.



IDEAL FOR INDUSTRIAL AREAS

