

# SUJE-4C WALL MOUNT BRACKET



## DESCRIPTION

The material of the **WALL MOUNT BRACKET SUJE-4C** is steel, and it's a basket designed for the **Sharps Container PC-4**.

- It has corrosion protection with powder coating.

## FUNCTIONALITY

This basket is designed to place the **PC-4** on the wall.

Useful for moving and collecting residues without grabbing them for its transportation. It prevents the user has direct contact with any residue.

## FEATURES

**COLOR:** White

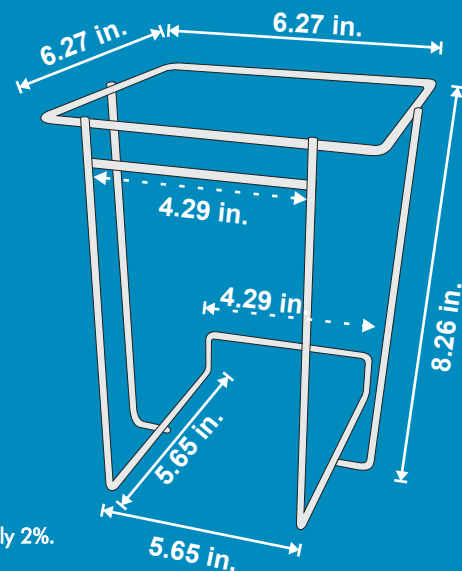
### MEASURES:

**Length:** 6.27 in.

**Width:** 6.27 in.

**Height:** 8.26 in.

**WEIGHT:** 8 oz.



Volumes, dimensions, and other measures are nominal and may vary by approximately 2%.



PERFECT FOR MEDICAL AREAS

