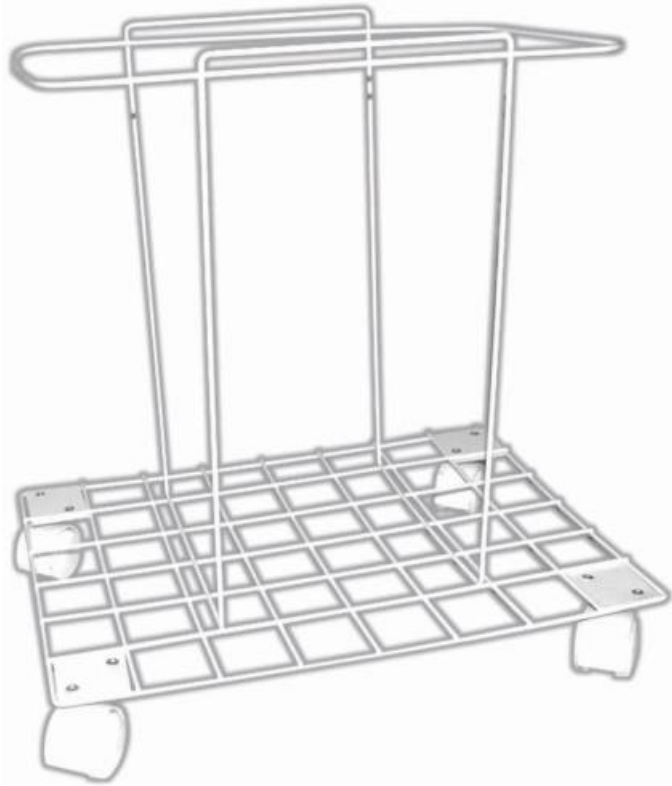


SUJE 30-C WALL MOUNT BRACKET



DESCRIPTION

The material of the **WALL MOUNT BRACKET SUJE-30-C** is steel, and it's a basket designed for the **Sharps Container PC-30**.

- It includes four caster wheels for better movement.
- It has corrosion protection with powder coating.

FUNCTIONALITY

This basket is designed to place the **PC-30**.

Useful for moving and collecting residues without grabbing them for its transportation. It prevents the user has direct contact with any residue.

FEATURES

COLOR: White

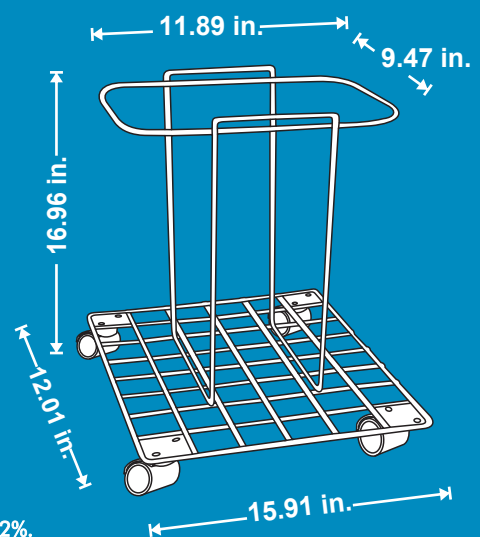
MEASURES:

Length: 15.91 in.

Width: 12.01 in.

Height: 16.96 in.

WEIGHT: 33.63 oz.



Volumes, dimensions, and other measures are nominal and may vary by approximately 2%.



PERFECT FOR MEDICAL AREAS

