

SUJE-13C WALL MOUNT BRACKET



DESCRIPTION

The material of the **WALL MOUNT BRACKET SUJE-13C** is steel, and it's a basket designed for the **Sharps Container PC-4**.

- It has corrosion protection with powder coating.

FUNCTIONALITY

This basket is designed to place the **PC-13** on the wall.

Useful for moving and collecting residues without grabbing them for its transportation. It prevents the user has direct contact with any residue.

FEATURES

COLOR: White

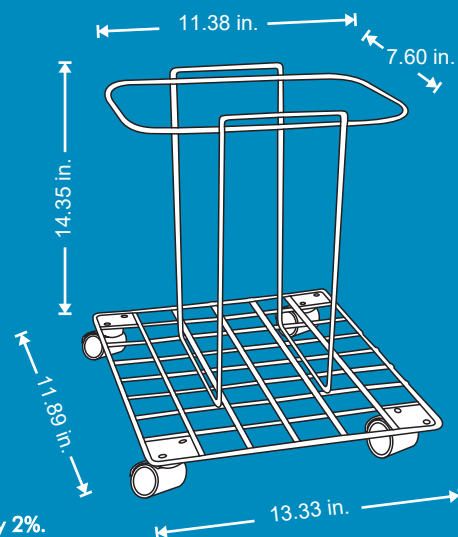
MEASURES:

Length: 13.33 in.

Width: 11.89 in.

Height: 14.35 in.

WEIGHT: 32.97 oz.



Volumes, dimensions, and other measures are nominal and may vary by approximately 2%.



PERFECT FOR MEDICAL AREAS

