

GIANT STACK CONTAINER 47



CUSTOMIZATION

According to your needs, it can be labeled with your logo or the caption of the type of material it contains.

DESCRIPTION

The material of the **GIANT STACK CONTAINER 47** is HDPE through an injection molding process that gathers the highest resistance to heavy impacts without deforming.

- It has resistance to weather conditions.
- UV protection.
- It has handles on both sides for better grip.
- The front opening makes it easy to fill.
- The reinforcements on its sides, edges, and back are designed perfectly for higher weight support. This prevents it from bending and avoids damage.
- Stackable.
- An optional lid.

FUNCTIONALITY

The **GIANT STACK CONTAINER 47** is perfect for waste separation, depending on categories or needs.

- Useful in any store and warehouse.

FEATURES

CAPACITY: 47 L (12.40 US gal).

WEIGHT WITH LID: 4.62 lbs.

WEIGHT WITHOUT LID: 3.85 lbs.

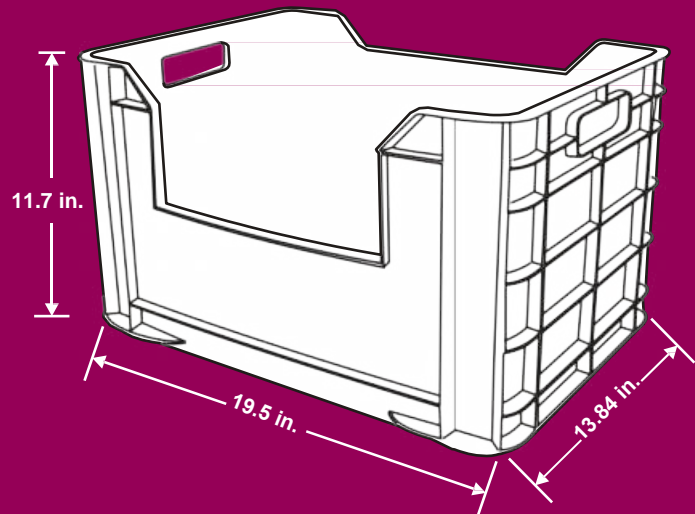
COLORS: Gray, blue, yellow, and green.

MEASURES:

Length: 19.5 in.

Width: 13.84 in.

Height: 11.7 in.



Volumes, dimensions, and other measures are nominal and may vary by approximately 2%.

