

# LAPO SWING TOP TRASH CAN



## DESCRIPTION

The material of the **LAPO SWING TOP TRASH CAN** is polypropylene which gathers higher resistance to impacts and avoids deformations.

- UV protection.
- Highly resistant to weather conditions.
- The detachable swing lid facilitates its discharge.
- Stackable.

## FUNCTIONALITY

Perfect for household and office waste separation.

- You can add a trash bag.

## CUSTOMIZATION

According to your needs, it can be labeled with your logo or the type of material it contains.

## FEATURES

**CAPACITY:** 20 L (5.28 US gal)

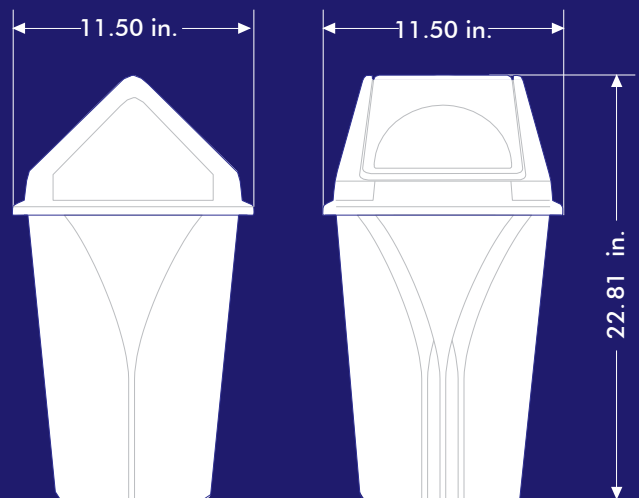
**COLORS:** Blue, green, orange, red, yellow, and gray.

### MEASURES:

**Length:** 11.50 in.

**Width:** 11.50 in.

**Height:** 22.81 in.



Volumes, dimensions, and other measures are nominal and may vary by approximately 2%.

